

| |
|--|
| |
|--|

| |
|----------|
| Date: |
| Client: |
| Project: |



111M

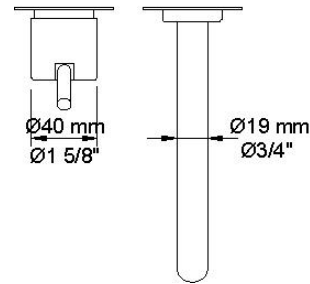
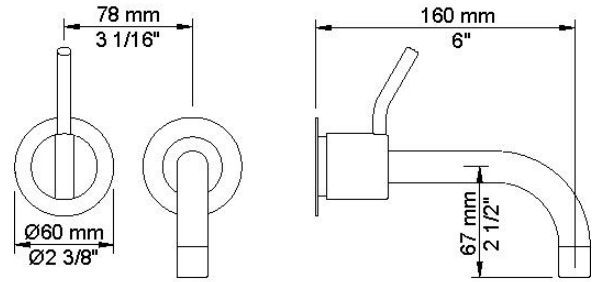
One-handle build-in mixer with ceramic disc technology.
 111MUP = Mixer 100.
 111MAP = Handle NR28M, 160 mm fixed spout 010, 60 mm circular flanges 001, 3001.

Ada approved.

Flow

| | Psi: | 14.5 | 29.0 | 43.5 | 58.0 | 72.5 |
|--------------------|-----------|------|------|------|------|------|
| 111M | (gal/min) | 0.8 | 1.1 | 1.3 | 1.3 | 1.3 |
| 111M ¹⁾ | (gal/min) | 0.7 | 1.0 | 1.2 | 1.2 | 1.2 |

¹⁾ USA standard



Available in colors

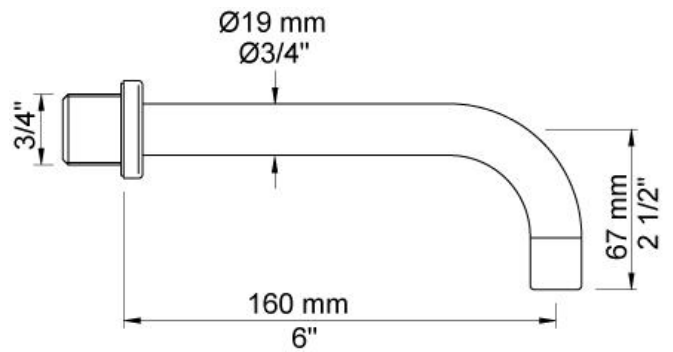
| | |
|---------------------------|-----------------------------------|
| Color 02, Grey | Color 21, Carmine red |
| Color 04, Light blue | Color 25, Pink |
| Color 05, Orange | Color 27, Matt black |
| Color 06, Light green | Color 28, Matt white |
| Color 08, Yellow | Color 40, Brushed stainless steel |
| Color 09, Dark grey | Color 60, Black |
| Color 12, Mocca | Color 61, Brushed black |
| Color 14, Bright red | Color 62, Deep black |
| Color 15, Dark blue | Color 63, Copper |
| Color 16, Polished chrome | Color 64, Brushed Copper |
| Color 17, Gloss black | Color 65, Gold |
| Color 18, White | Color 68, Silver |
| Color 19, Natural brass | Color 70, Brushed Gold |
| Color 20, Brushed chrome | |



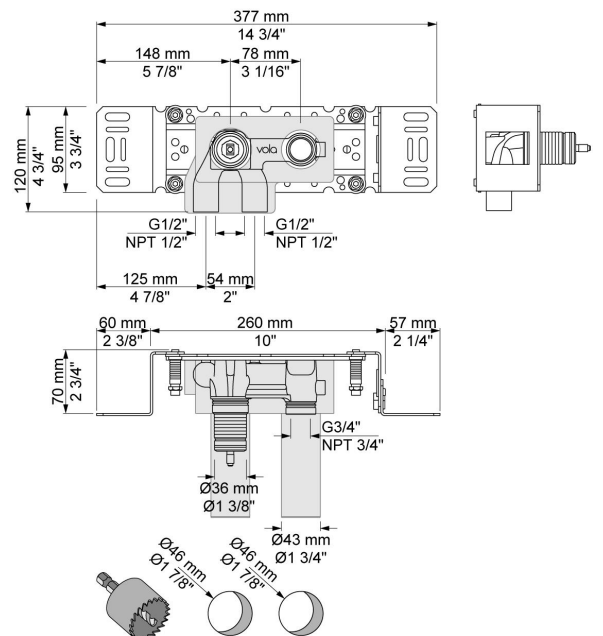
001
60 mm circular flange.
Hole Ø30 mm.

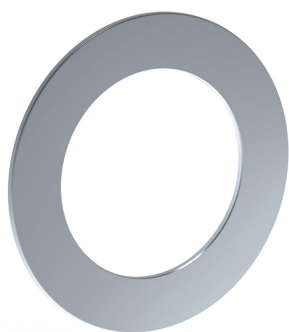


010
160 mm fixed spout with water saving aerator.



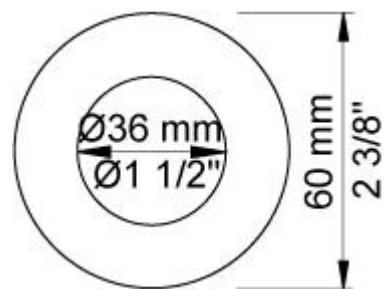
100
One-handle build-in mixer with fixed outlet socket. 1/2" connection to copper, steel, iron or pex pipe work.





3001

60 mm circular flange. Hole Ø36 mm.



NR28M

Operating handle for 100, 200, 300, 400 incl. variants.
Ø40 mm. Medium lever.

