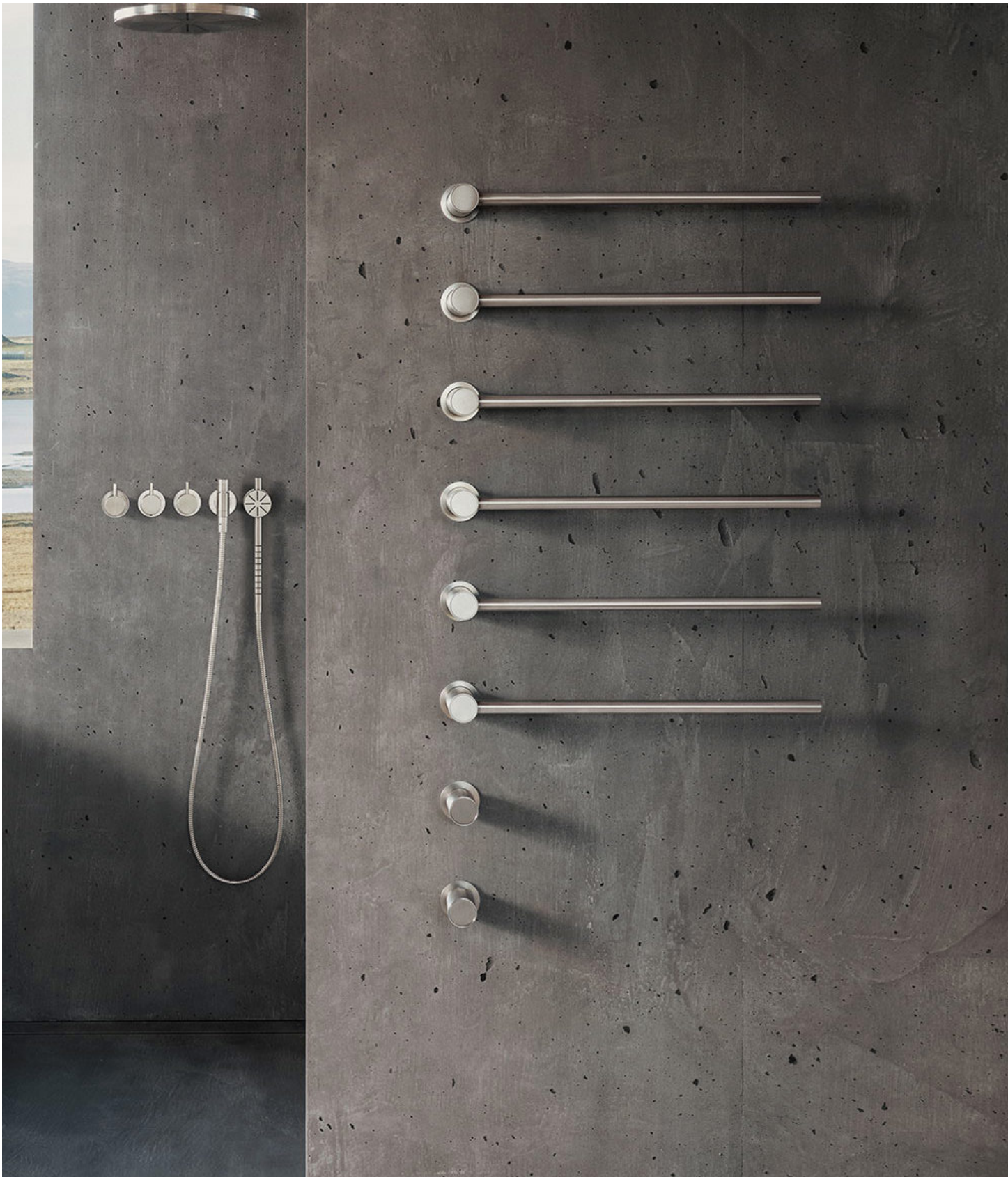


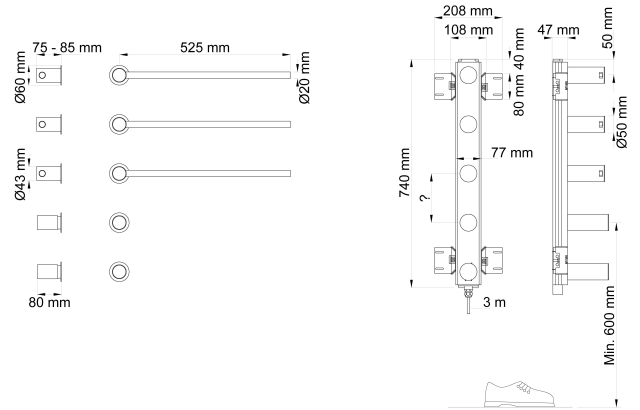
--

Date:
Client:
Project:



**T39ELUS**

Towel warmer – electric 120V.  
 VOLA build-in modular heated towel rail for individual design solutions.  
 A modular system of bars to be positioned according to customer requirements. Height between 500 and 2100 mm.  
 Individual number of bars with centre distance between 100 and 300 mm.  
 With step-less temperature regulation between 20 and 50 degrees C. (68oF - 122o).  
 Self-closing timer setting after two hours at full power (50 degrees C) (122oF)  
 Two handles, one for on/off, one for temperature regulation.  
 Power consumption: 10W per bar. (34.1 BTU/hr).  
 Supplied with 3 metres of Rodent proof cable.  
 (for build-in part).  
 Must be installed by a qualified electrician



**Available in colors**

Color 02, Grey	Color 21, Carmine red
Color 04, Light blue	Color 25, Pink
Color 05, Orange	Color 27, Matt black
Color 06, Light green	Color 28, Matt white
Color 08, Yellow	Color 40, Brushed stainless steel
Color 09, Dark grey	Color 60, Black
Color 12, Mocca	Color 61, Brushed black
Color 14, Bright red	Color 62, Deep black
Color 15, Dark blue	Color 63, Copper
Color 16, Polished chrome	Color 64, Brushed Copper
Color 17, Gloss black	Color 65, Gold
Color 18, White	Color 68, Silver
Color 19, Natural brass	Color 70, Brushed Gold
Color 20, Brushed chrome	