

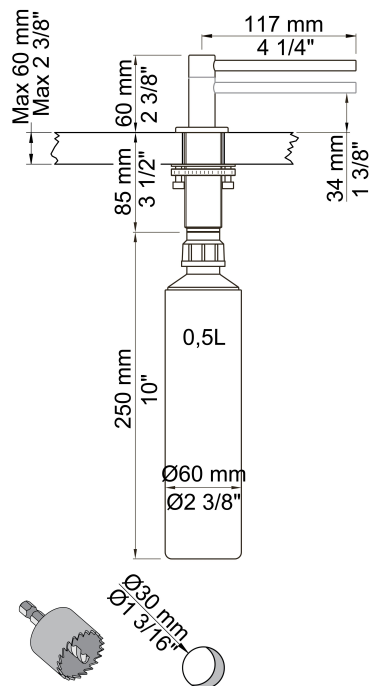
--

Date:
Client:
Project:



**T36L**

Deck-mounted soap dispenser with extended nozzle.  
 pH neutral liquid soap can be used (pH value: 4,5 - 7,5).  
 Viscosity: approx. 1500cP - 2000cP at 20°C.



**Available in colors**

Color 16, Polished chrome	Color 62, Deep black
Color 19, Natural brass	Color 63, Copper
Color 20, Brushed chrome	Color 64, Brushed Copper
Color 40, Brushed stainless steel	Color 65, Gold
Color 60, Black	Color 68, Silver
Color 61, Brushed black	Color 70, Brushed Gold