

--

Date:
Client:
Project:



PSB Singapore



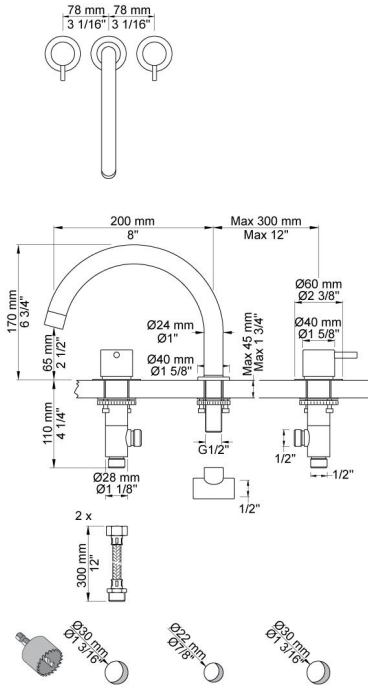
SC8

Two-handle mixer S50DH + S50D with swivel spout 090E.

Flow

	Bar:	1.0	2.0	3.0	4.0	5.0
SC8 ¹⁾	(l/min)	28.9	40.8	50.0	57.7	64.5
SC8	(l/min)	15.0	21.2	26.0	30.0	30.0

¹⁾ Strainer VR624E

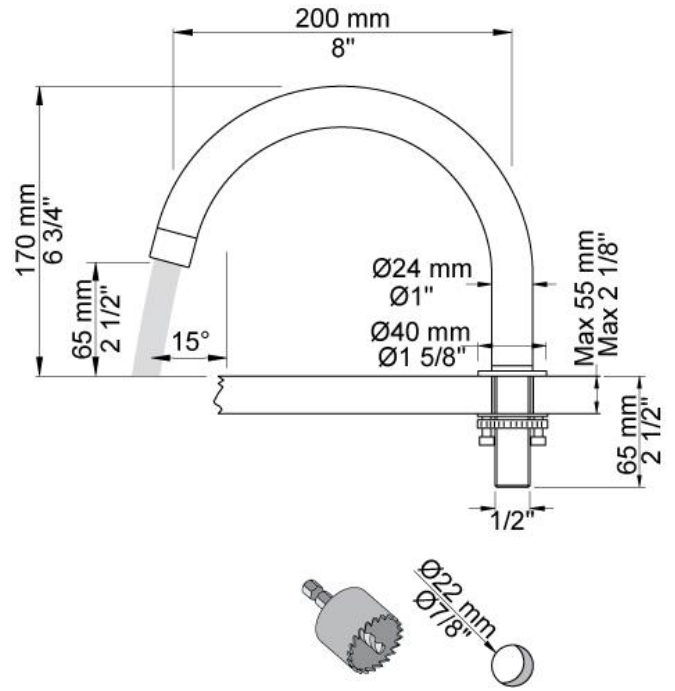


Available in colors

	Color 20, Brushed chrome
Color 02, Grey	Color 21, Carmine red
Color 04, Light blue	Color 25, Pink
Color 05, Orange	Color 27, Matt black
Color 06, Light green	Color 28, Matt white
Color 08, Yellow	Color 40, Brushed stainless steel
Color 09, Dark grey	Color 60, Black
Color 12, Mocca	Color 61, Brushed black
Color 14, Bright red	Color 63, Copper
Color 15, Dark blue	Color 64, Brushed Copper
Color 16, Polished chrome	Color 65, Gold
Color 17, Gloss black	Color 68, Silver
Color 18, White	Color 70, Brushed Gold
Color 19, Natural brass	



090E
Swivel spout. Height 170 mm. Hole cut out size: 22 mm.



S50
Stop valve with 1/4 turn ceramic disc technology. Includes non-return valve and 1/2" inlet/outlet. 60 mm circular flange 001G. Hole cut out size: 30 mm.

