

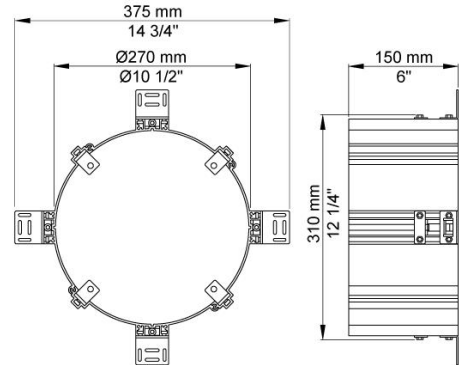
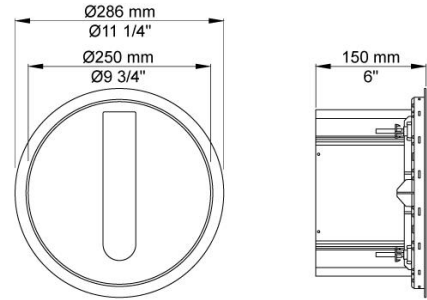
--

Date:
Client:
Project:



RS2

Build-in tissue dispenser. Build-in depth: 150 mm. Diameter incl. ring: 286 mm. Capacity 80-100 tissues. Size 85 mm x 205 mm. Type: Tork no: 100297 (www.sca-tork.com). Lotus Professional no: 5892690 (www.lotusprofessional.eu). Care Ness no: 114013 (www.abena.dk). The visual part consists of: Ring, material: High polished chrome, natural brass, brushed chrome, brushed stainless steel or 15 different colours. Container, material frontplate: PC/ABS laquered, surface colour white or black.



Available in colors

	Color 20, Brushed chrome
Color 02, Grey	Color 21, Carmine red
Color 04, Light blue	Color 25, Pink
Color 05, Orange	Color 27, Matt black
Color 06, Light green	Color 28, Matt white
Color 08, Yellow	Color 40, Brushed stainless steel
Color 09, Dark grey	Color 60, Black
Color 12, Mocca	Color 61, Brushed black
Color 14, Bright red	Color 63, Copper
Color 15, Dark blue	Color 64, Brushed Copper
Color 16, Polished chrome	Color 65, Gold
Color 17, Gloss black	Color 68, Silver
Color 18, White	Color 70, Brushed Gold
Color 19, Natural brass	