

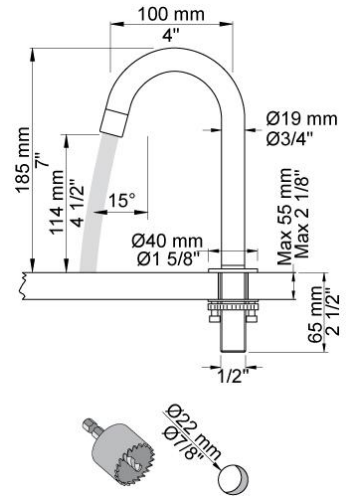
--

Date:
Client:
Project:





090B
Swivel spout. Height 185 mm. Hole cut out size: 22 mm.



S50
Stop valve with 1/4 turn ceramic disc technology. Includes non-return valve and 1/2" inlet/outlet. 60 mm circular flange 001G. Hole cut out size: 30 mm.

