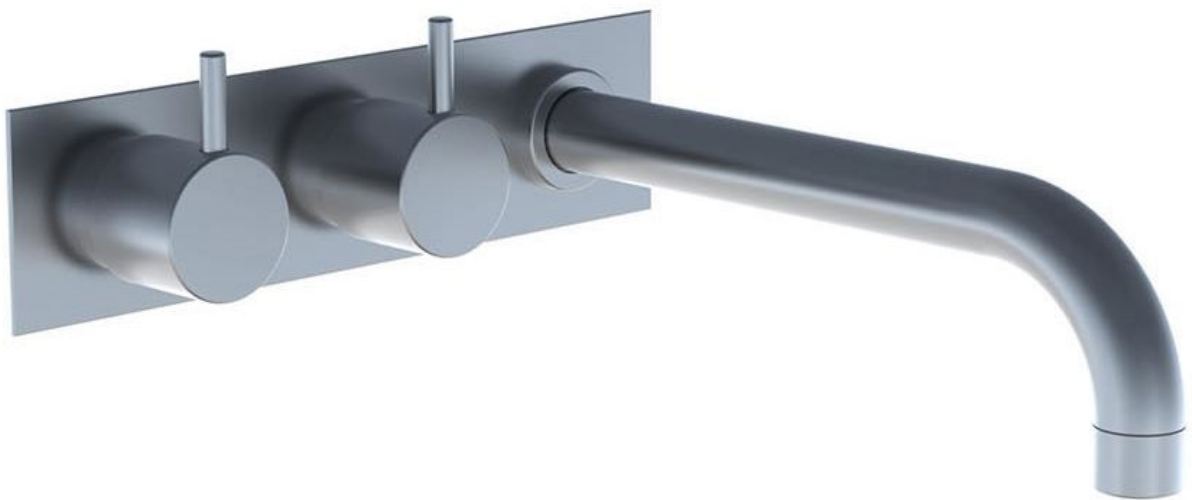


| |
|--|
| |
|--|

| |
|----------|
| Date: |
| Client: |
| Project: |



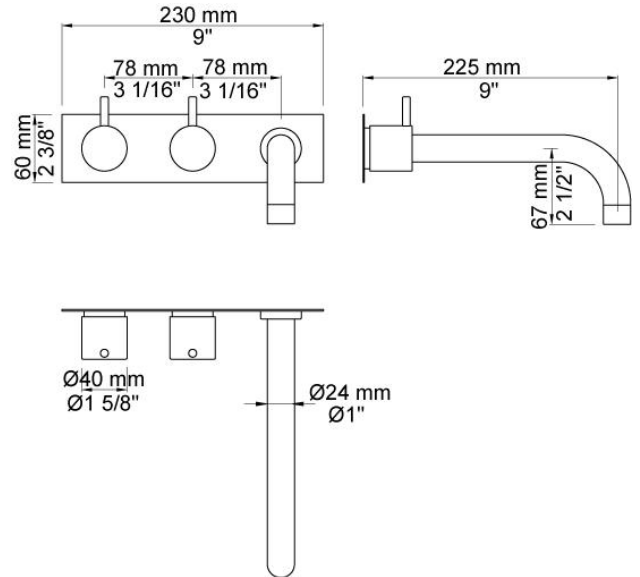
623CK

Two-handle build-in mixer with ¼ turn ceramic disc technology. 623CKUP = Mixer 600. 623CKAP = 2 pcs. handles NR17, 225 mm fixed spout 020C, three-hole plate 60 x 230 mm 003K.

Flow

| | Bar: | 1.0 | 2.0 | 3.0 | 4.0 | 5.0 |
|---------------------|---------|------|------|------|------|------|
| 623CK | (l/min) | 17.3 | 24.5 | 30.0 | 30.0 | 30.0 |
| 623CK ¹⁾ | (l/min) | 28.9 | 40.8 | 50.0 | 57.7 | 64.5 |

¹⁾ 020C with VR624E



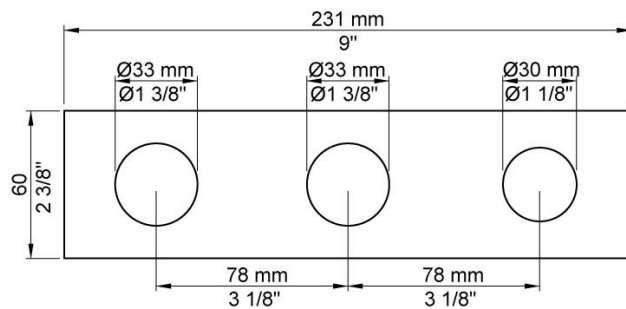
Available in colors

| | |
|---------------------------|-----------------------------------|
| | Color 20, Brushed chrome |
| Color 02, Grey | Color 21, Carmine red |
| Color 04, Light blue | Color 25, Pink |
| Color 05, Orange | Color 27, Matt black |
| Color 06, Light green | Color 28, Matt white |
| Color 08, Yellow | Color 40, Brushed stainless steel |
| Color 09, Dark grey | Color 60, Black |
| Color 12, Mocca | Color 61, Brushed black |
| Color 14, Bright red | Color 63, Copper |
| Color 15, Dark blue | Color 64, Brushed Copper |
| Color 16, Polished chrome | Color 65, Gold |
| Color 17, Gloss black | Color 68, Nickel |
| Color 18, White | Color 70, Brushed Gold |
| Color 19, Natural brass | |



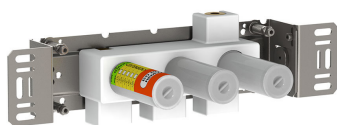
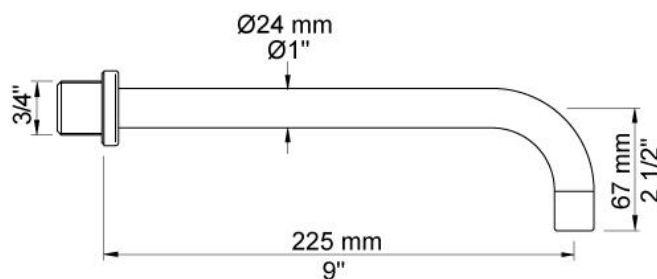
003K

Three-hole plate, 60 x 231 mm. Holes Ø33 mm, Ø33 mm, Ø30 mm.



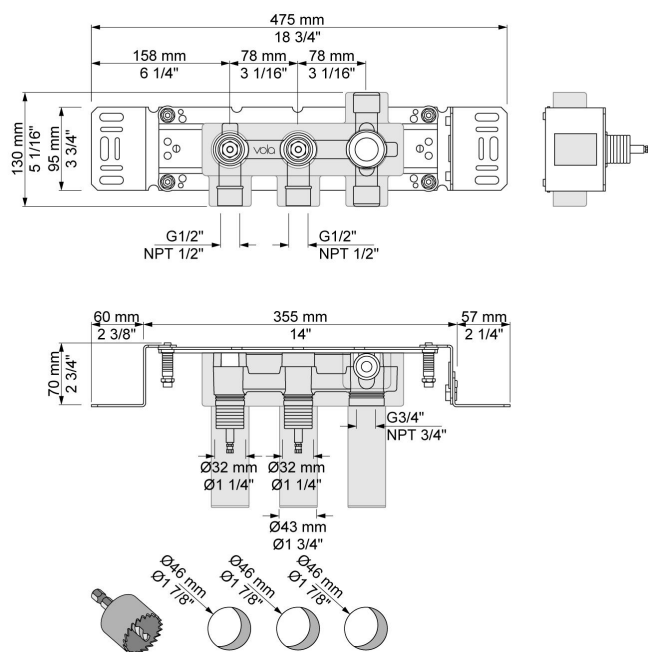
020C

225 mm fixed spout for high flow.



600

Two-handle build-in mixer, with fixed outlet socket. 1/2" connection to copper, steel, iron or pex pipe work.



**NR17**

Operating handle for 600, 700, 800, 900, 1500, 2800, 2900, S20, S21, S40, S42 incl. variants. Ø40 mm.

