

--

Date:
Client:
Project:

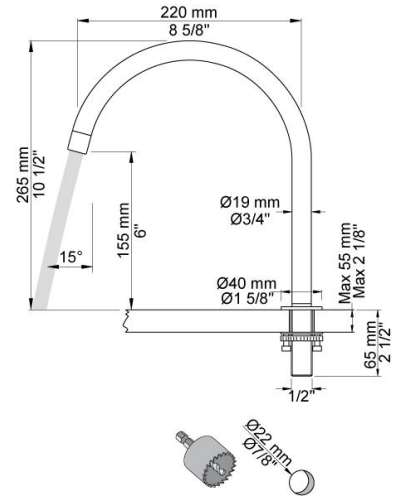






**090H**

Swivel spout. Height 265 mm. Hole cut out size: 22 mm.



**500**

One-handle table-mounted mixer.

