

| |
|--|
| |
|--|

| |
|----------|
| Date: |
| Client: |
| Project: |



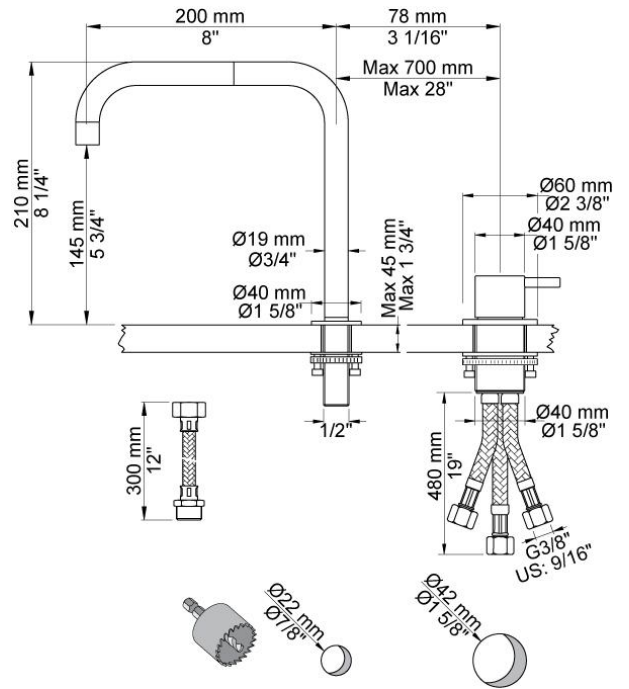
590

One-handle mixer with ceramic disc technology for table mounting 500, with double swivel spout 090 and water saving aerator. Height 210 mm. Hole cut out size, mixer: 42 mm. Hole cut out size, spout: 22 mm.

Flow

| | Bar: | 1.0 | 2.0 | 3.0 | 4.0 | 5.0 |
|-------------------|---------|-----|-----|-----|-----|-----|
| 590 | (l/min) | 4.8 | 6.8 | 8.3 | 8.3 | 8.3 |
| 590 ¹⁾ | (l/min) | 2.3 | 3.3 | 4.0 | 4.0 | 4.0 |

¹⁾ USA standard

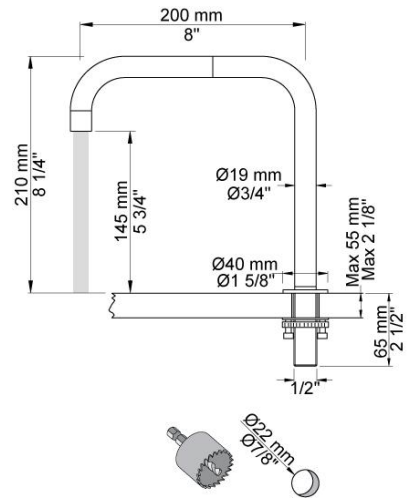


Available in colors

| | |
|---------------------------|-----------------------------------|
| | Color 20, Brushed chrome |
| Color 02, Grey | Color 21, Carmine red |
| Color 04, Light blue | Color 25, Pink |
| Color 05, Orange | Color 27, Matt black |
| Color 06, Light green | Color 28, Matt white |
| Color 08, Yellow | Color 40, Brushed stainless steel |
| Color 09, Dark grey | Color 60, Black |
| Color 12, Mocca | Color 61, Brushed black |
| Color 14, Bright red | Color 63, Copper |
| Color 15, Dark blue | Color 64, Brushed Copper |
| Color 16, Polished chrome | Color 65, Gold |
| Color 17, Gloss black | Color 68, Silver |
| Color 18, White | Color 70, Brushed Gold |
| Color 19, Natural brass | |



090
Double swivel spout. Height 210 mm. Hole cut out size: 22 mm.



500
One-handle table-mounted mixer.

