

--

Date:
Client:
Project:

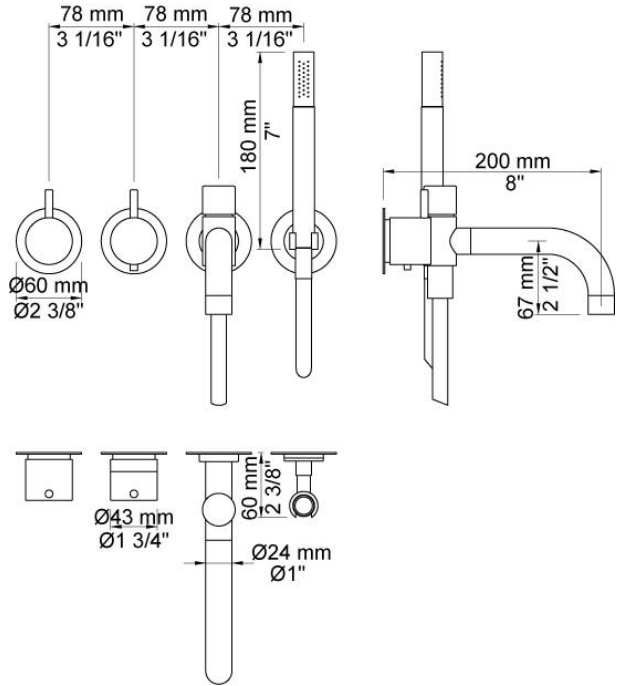


**5141DT8**

¾" thermostatic mixer.5141DT8UP = Thermostatic mixer 5100.5141DT8AP = Handle NR51, handle NR52, 200 mm bath spout with diverter for hand shower 040D, 60 mm circular flange 001, 60 mm circular flange 001G, 2 pcs. 60 mm circular flanges 2001, hand shower holder for low mounting T8.

**Flow**

	Bar:	1.0	2.0	3.0	4.0	5.0
040D	(l/min)	15.0	21.2	26.0	30.0	30.0
T2	(l/min)	6.6	9.4	11.5	13.3	14.8

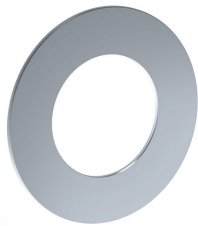
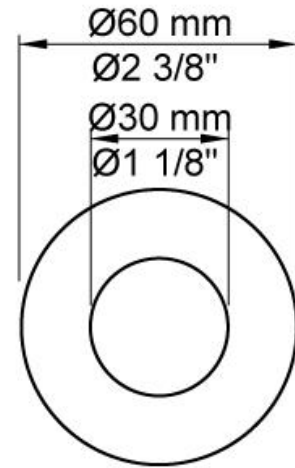


**Available in colors**

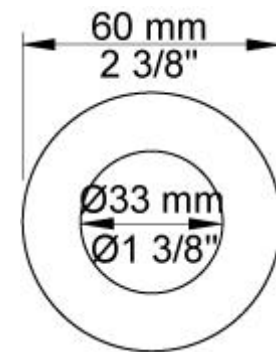
	Color 20, Brushed chrome
Color 02, Grey	Color 21, Carmine red
Color 04, Light blue	Color 25, Pink
Color 05, Orange	Color 27, Matt black
Color 06, Light green	Color 28, Matt white
Color 08, Yellow	Color 40, Brushed stainless steel
Color 09, Dark grey	Color 60, Black
Color 12, Mocca	Color 61, Brushed black
Color 14, Bright red	Color 63, Copper
Color 15, Dark blue	Color 64, Brushed Copper
Color 16, Polished chrome	Color 65, Gold
Color 17, Gloss black	Color 68, Nickel
Color 18, White	Color 70, Brushed Gold
Color 19, Natural brass	



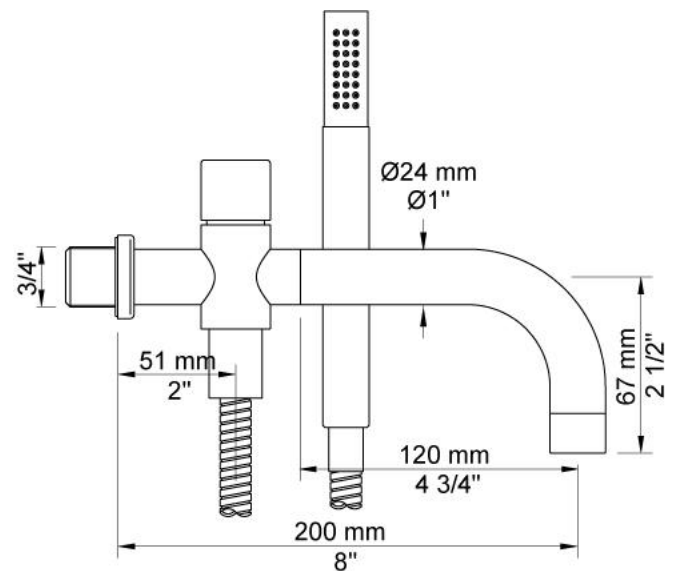
**001**  
60 mm circular flange. Hole Ø30 mm.

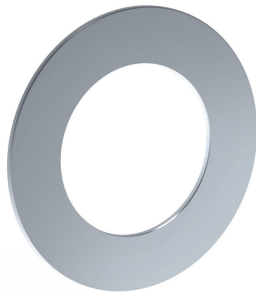


**001G**  
60 mm circular flange. Hole Ø33 mm.

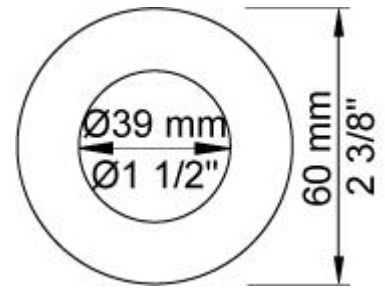


**040D**  
200 mm bath spout with diverter for handshower. Dimension Ø24 mm.  
Incl. hand shower T2.

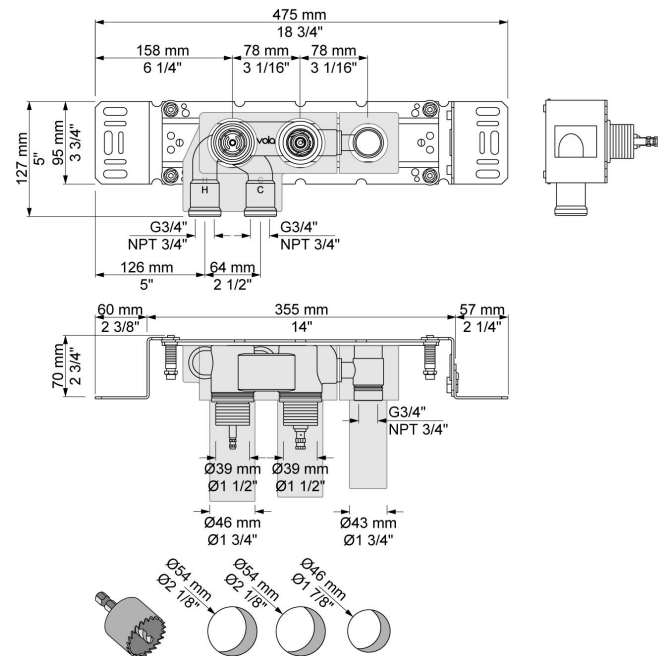




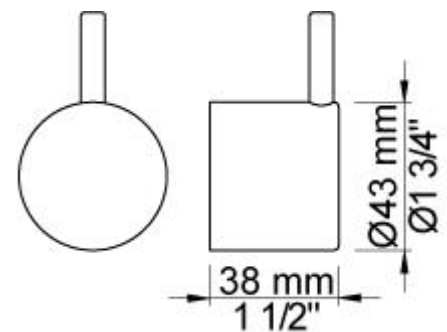
**2001**  
60 mm circular flange. Hole Ø39 mm.



**5100**  
Thermostatic mixer with fixed outlet socket. 3/4" connection to copper, steel, iron or pex pipe work.

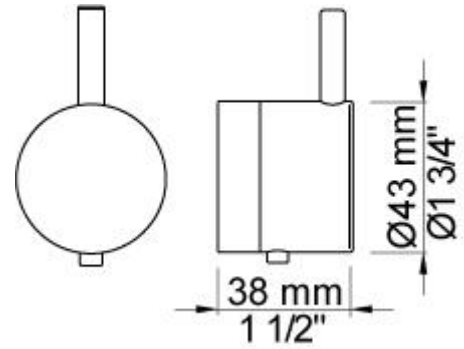


**NR51**  
On/off handle for series 5000.

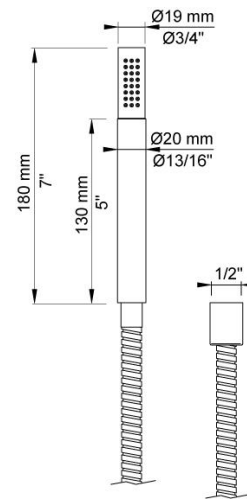




**NR52**  
Thermostatic handle for series 5000.



**T2**  
Hand shower with 1.5 m hose.



**T8**  
Hand shower holder for T2 for low mounting.

