

| |
|--|
| |
|--|

| |
|----------|
| Date: |
| Client: |
| Project: |

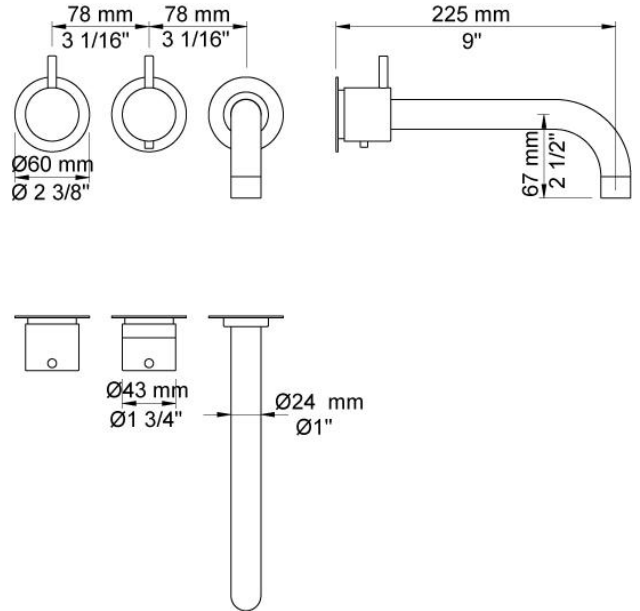


5121C

¾" thermostatic mixer.5121C UP = Thermostatic mixer 5100.5121C AP = Handle NR51, handle NR52, 225 mm fixed spout 020C, 60 mm circular flange 2001, 60 mm circular flange 001.

Flow

| | Bar: | 1.0 | 2.0 | 3.0 | 4.0 | 5.0 |
|-------|-------------|------------|------------|------------|------------|------------|
| 5121C | (l/min) | 15.0 | 21.2 | 26.0 | 30.0 | 30.0 |

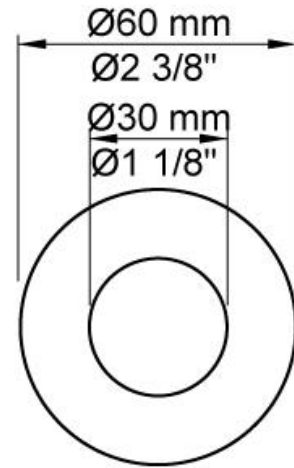


Available in colors

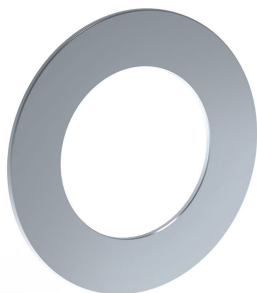
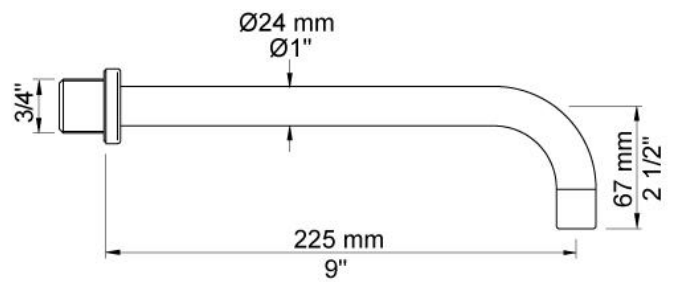
| | |
|---------------------------|-----------------------------------|
| | Color 20, Brushed chrome |
| Color 02, Grey | Color 21, Carmine red |
| Color 04, Light blue | Color 25, Pink |
| Color 05, Orange | Color 27, Matt black |
| Color 06, Light green | Color 28, Matt white |
| Color 08, Yellow | Color 40, Brushed stainless steel |
| Color 09, Dark grey | Color 60, Black |
| Color 12, Mocca | Color 61, Brushed black |
| Color 14, Bright red | Color 63, Copper |
| Color 15, Dark blue | Color 64, Brushed Copper |
| Color 16, Polished chrome | Color 65, Gold |
| Color 17, Gloss black | Color 68, Nickel |
| Color 18, White | Color 70, Brushed Gold |
| Color 19, Natural brass | |



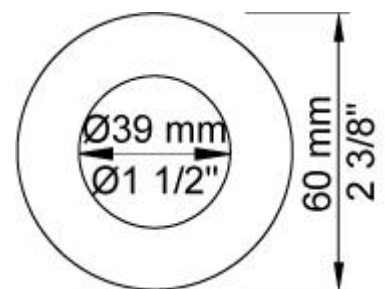
001
60 mm circular flange. Hole Ø30 mm.

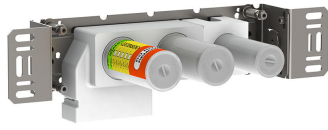


020C
225 mm fixed spout for high flow.



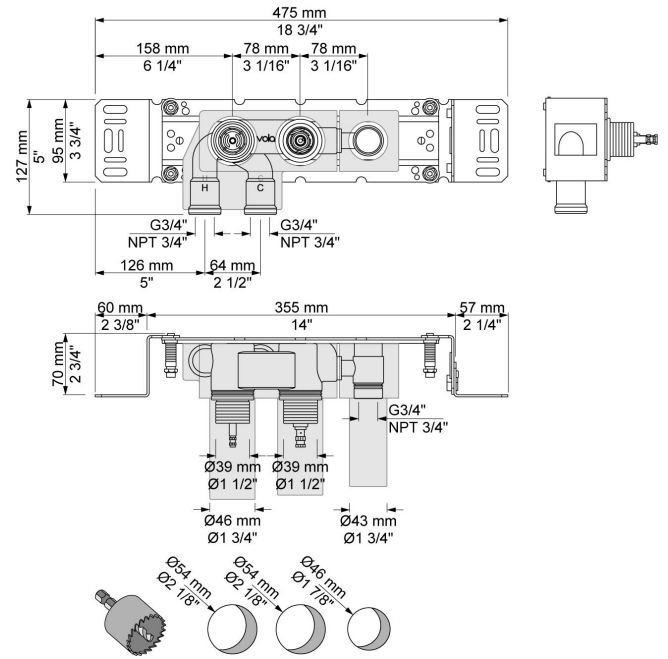
2001
60 mm circular flange. Hole Ø39 mm.





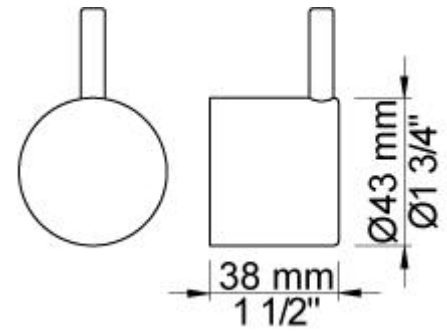
5100

Thermostatic mixer with fixed outlet socket. 3/4" connection to copper, steel, iron or pex pipe work.



NR51

On/off handle for series 5000.



NR52

Thermostatic handle for series 5000.

