

--

Date:
Client:
Project:



473

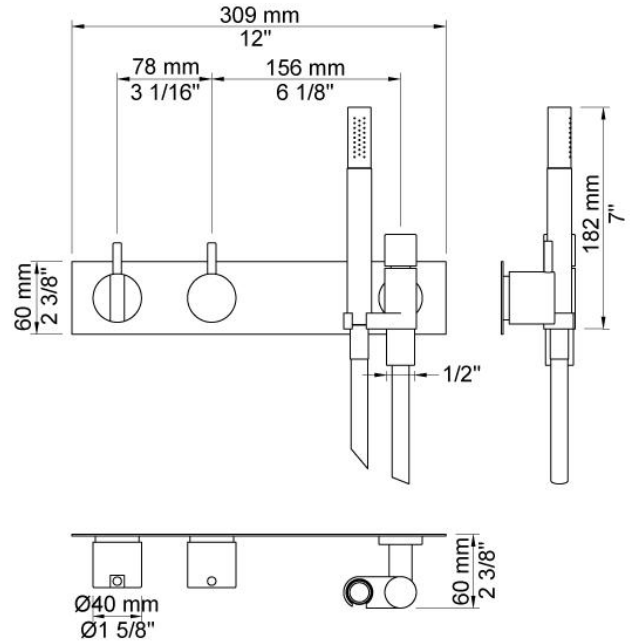
One-handle build-in mixer with ceramic disc technology with diverter. 473UP = Mixer 400FV. 473AP = Handle NR28, handle NR19, hand shower and hand shower holder with non-return valve 070, three-hole plate 60 x 309 mm 3003.

Flow

	Bar:	1.0	2.0	3.0	4.0	5.0
800N ¹⁾	(l/min)	8.7	12.2	15.0	17.3	19.4
070 ²⁾	(l/min)	5.2	7.3	9.0	9.0	9.0

¹⁾ USA: Flow restricted to 1.8 gpm (7.0 l/min)

²⁾ USA: Flow restricted to 1.8 gpm (7.0 l/min)

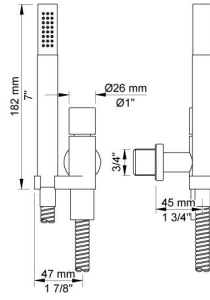


Available in colors

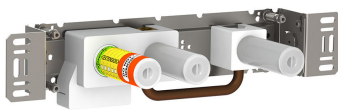
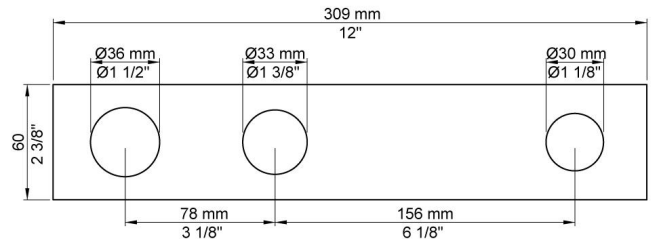
	Color 20, Brushed chrome
Color 02, Grey	Color 21, Carmine red
Color 04, Light blue	Color 25, Pink
Color 05, Orange	Color 27, Matt black
Color 06, Light green	Color 28, Matt white
Color 08, Yellow	Color 40, Brushed stainless steel
Color 09, Dark grey	Color 60, Black
Color 12, Mocca	Color 61, Brushed black
Color 14, Bright red	Color 63, Copper
Color 15, Dark blue	Color 64, Brushed Copper
Color 16, Polished chrome	Color 65, Gold
Color 17, Gloss black	Color 68, Nickel
Color 18, White	Color 70, Brushed Gold
Color 19, Natural brass	



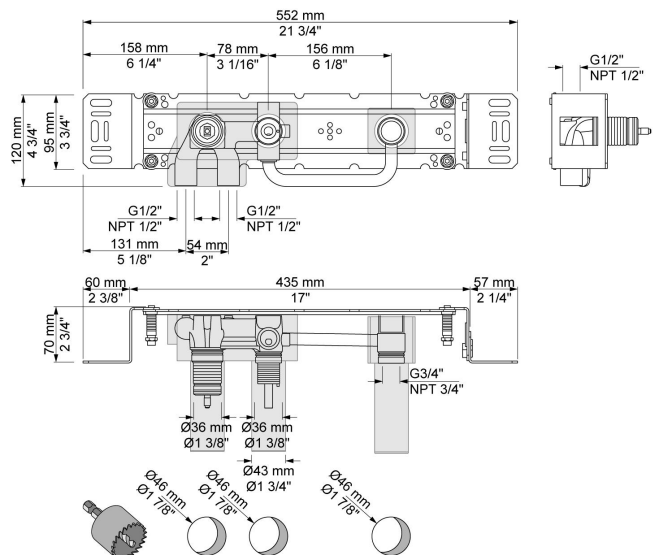
070
Hand shower, hand shower holder and hose with non-return valve.



3003
Three-hole plate, 60 x 309 mm. Holes Ø36, Ø33 and Ø30 mm.

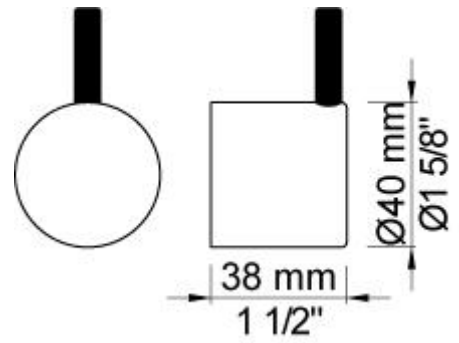


400FV
One-handle build-in mixer with diverter, one premounted outlet socket. 1/2" connection to copper, steel, iron or pex pipe work.





NR19
 Diverter handle for 400 and 800 incl. variants. Ø40 mm. With black peg.



NR28
 Operating handle for 100, 200, 300, 400 incl. variants. Ø40 mm.

