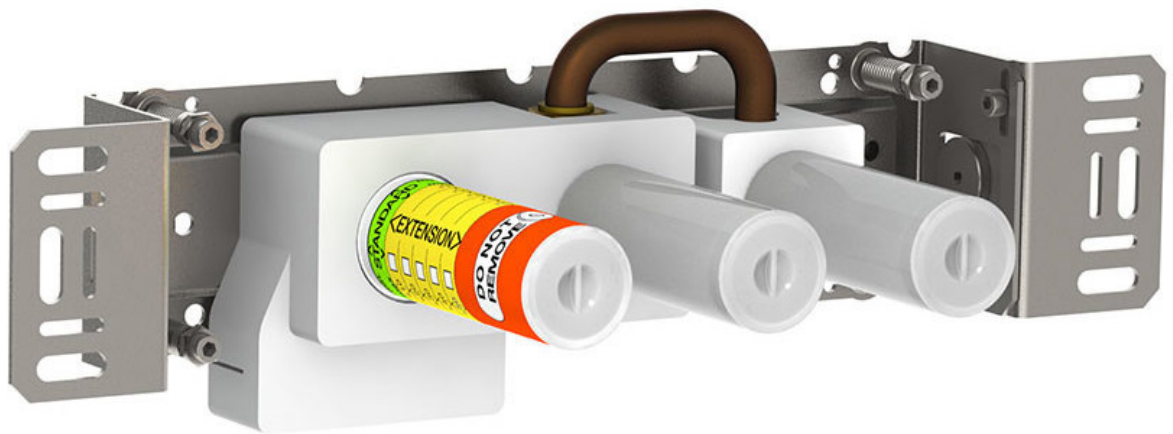


--

Date:
Client:
Project:



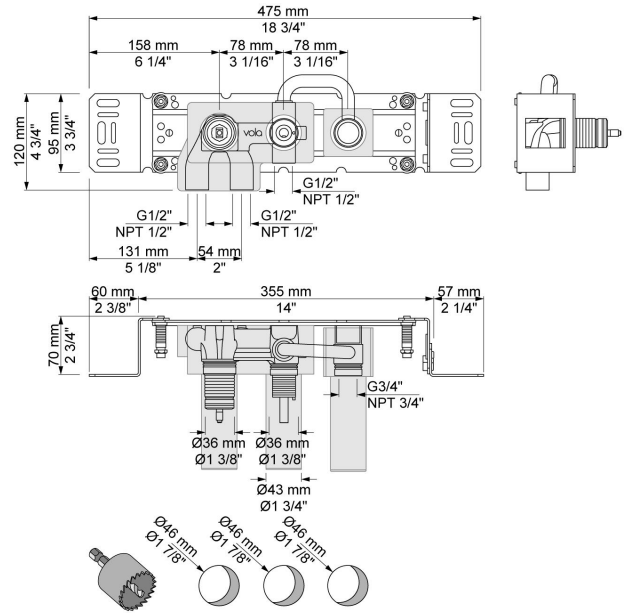
400TV

One-handle build-in mixer with diverter with one premounted outlet socket.

½" connection to copper, steel, iron or pex pipe work.

Flow

	Bar:	1.0	2.0	3.0	4.0	5.0
400TV	(l/min)	8.7	12.2	15.0	17.3	19.4



Available in colors