

|  |
|--|
|  |
|--|

|          |
|----------|
| Date:    |
| Client:  |
| Project: |



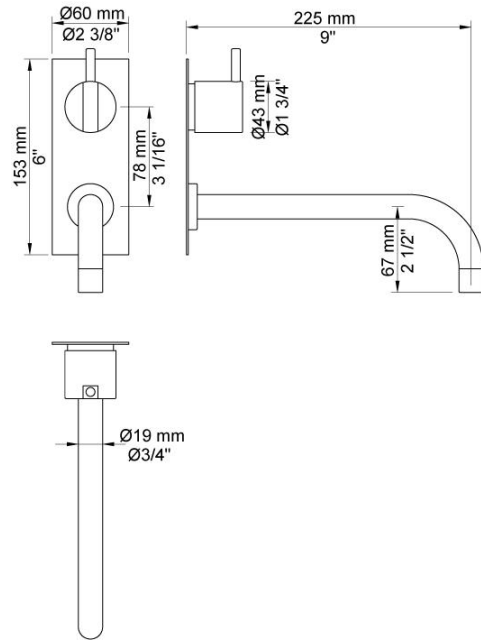
**2322**

One-handle build-in mixer with ceramic disc technology. 2322UP = Mixer 2300. 2322AP = Handle NR21, 225 mm fixed spout 020, two-hole plate 60 x 153 mm 2002.

**Flow**

|                    | <b>Bar:</b> | <b>1.0</b> | <b>2.0</b> | <b>3.0</b> | <b>4.0</b> | <b>5.0</b> |
|--------------------|-------------|------------|------------|------------|------------|------------|
| 2322               | (l/min)     | 2.9        | 4.1        | 5.0        | 5.0        | 5.0        |
| 2322 <sup>1)</sup> | (l/min)     | 2.6        | 3.7        | 4.5        | 4.5        | 4.5        |

<sup>1)</sup> USA standard

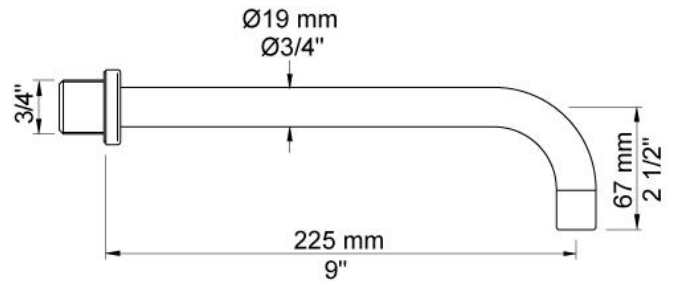


**Available in colors**

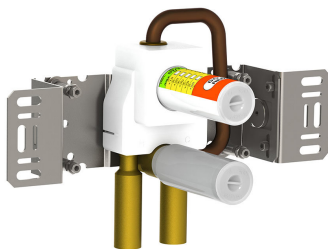
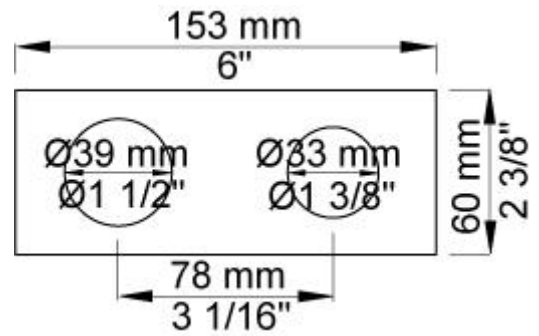
|                           |                                   |
|---------------------------|-----------------------------------|
|                           | Color 20, Brushed chrome          |
| Color 02, Grey            | Color 21, Carmine red             |
| Color 04, Light blue      | Color 25, Pink                    |
| Color 05, Orange          | Color 27, Matt black              |
| Color 06, Light green     | Color 28, Matt white              |
| Color 08, Yellow          | Color 40, Brushed stainless steel |
| Color 09, Dark grey       | Color 60, Black                   |
| Color 12, Mocca           | Color 61, Brushed black           |
| Color 14, Bright red      | Color 63, Copper                  |
| Color 15, Dark blue       | Color 64, Brushed Copper          |
| Color 16, Polished chrome | Color 65, Gold                    |
| Color 17, Gloss black     | Color 68, Nickel                  |
| Color 18, White           | Color 70, Brushed Gold            |
| Color 19, Natural brass   |                                   |



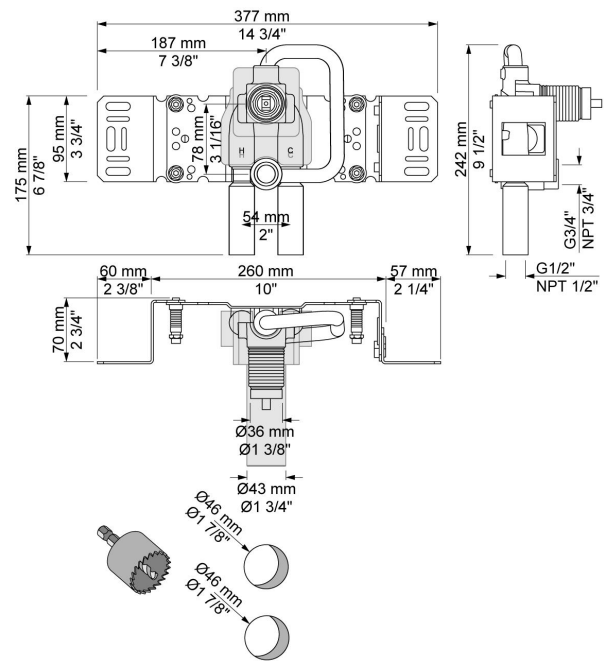
**020**  
225 mm fixed spout with water saving aerator.



**2002**  
Two-hole plate, 60 x 153 mm. Holes Ø39 and Ø30 mm.



**2300**  
One-handle build-in mixer for high flow, for vertical installation. 1/2" connection to copper, steel, iron or pex pipe work.



**NR21**

Operating handle for 2100, 2200, 2300, 2400 incl. variants. Ø43 mm.

