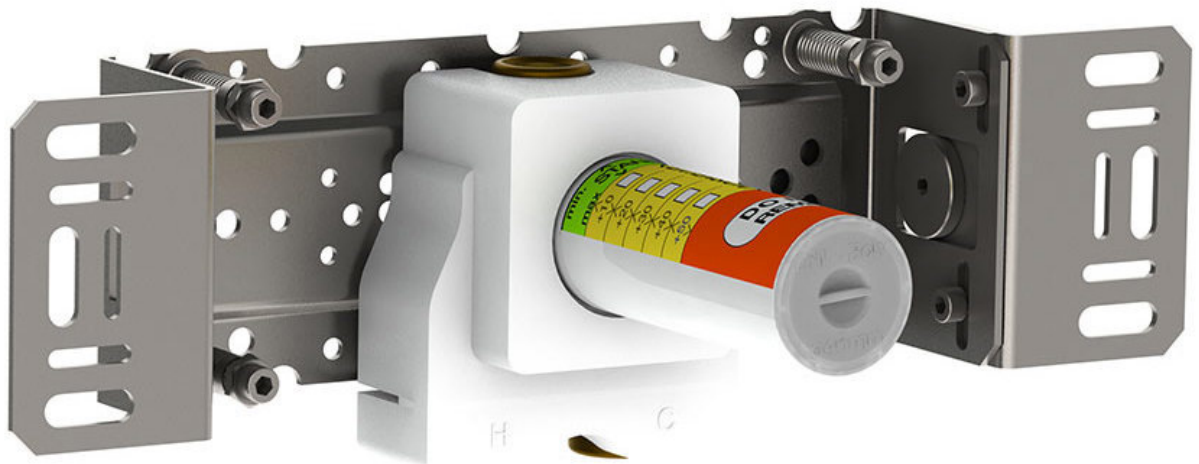
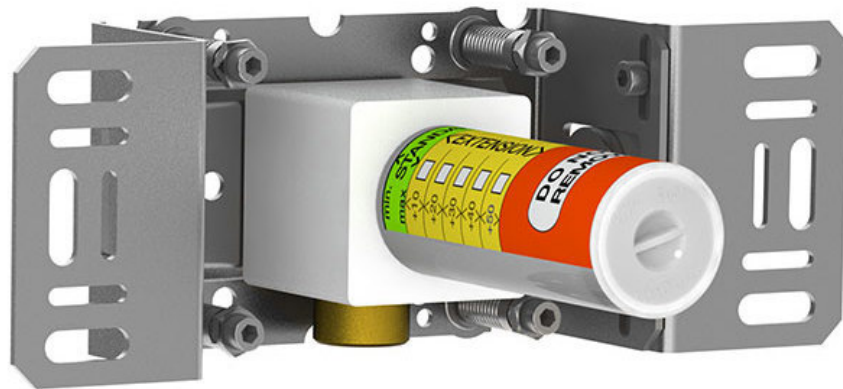


--

Date:
Client:
Project:

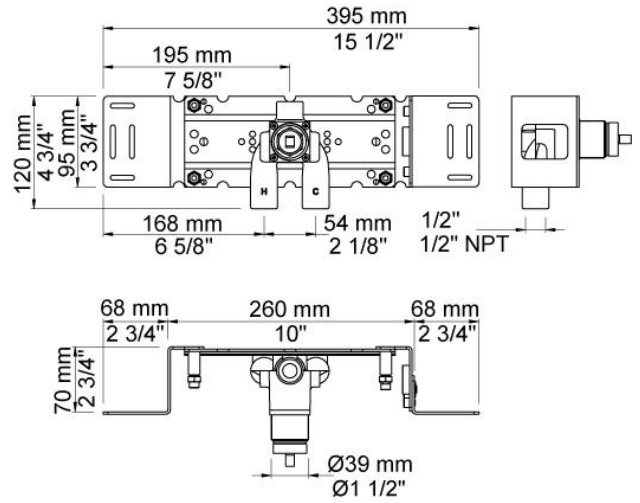


2200

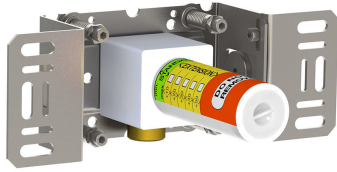
One-handle build-in mixer for high flow, including separate outlet socket, 200M. 1/2" connection to copper, steel, iron or pex pipe Work.

Flow

	Bar:	1.0	2.0	3.0	4.0	5.0
2200	(l/min)	14.4	20.4	25.0	28.9	32.3



Available in colors



200M

Separate outlet socket.

1/2" connection to copper, steel, iron or pex pipe work.

