

--

Date:
Client:
Project:

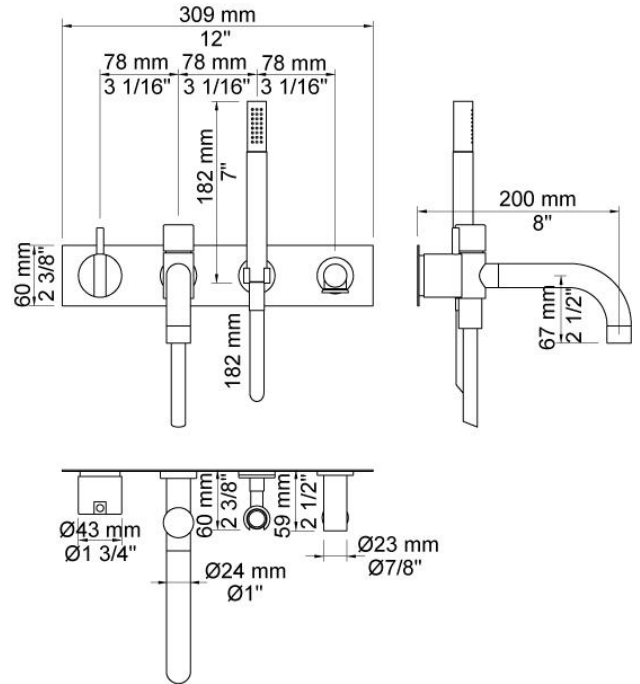


2144DT8T3

One-handle build-in mixer with ceramic disc technology. 2144DT8T3UP = Mixer 2100. 2144DT8T3AP = Handle NR21, 200 mm bath spout with diverter for hand shower 040D, four-hole plate 60 x 309 mm 2004B, hand shower holder T8, soap magnet T3.

Flow

	Bar:	1.0	2.0	3.0	4.0	5.0
040D	(l/min)	9.5	13.5	16.5	19.1	21.3
T2	(l/min)	5.8	8.2	10.0	11.6	12.9

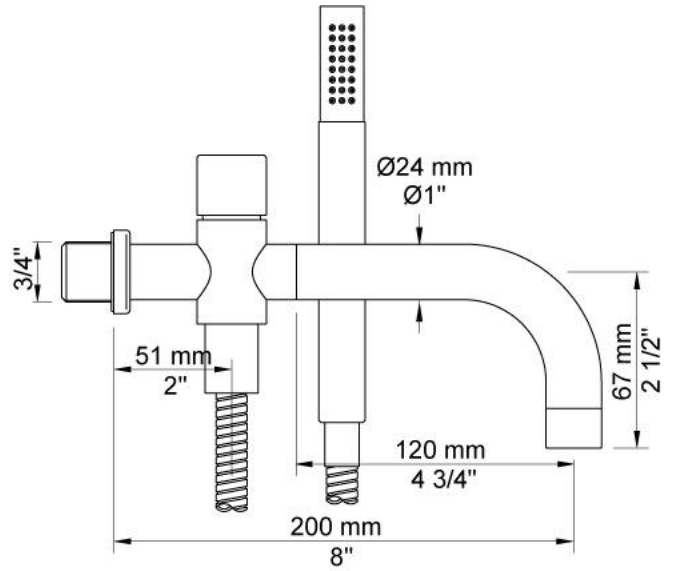


Available in colors

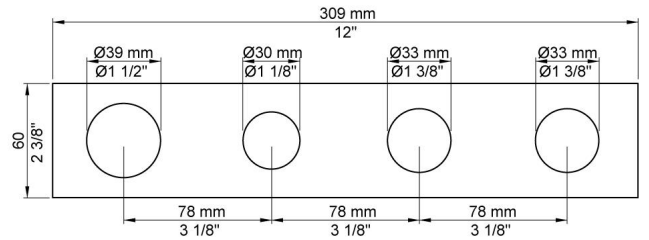
	Color 20, Brushed chrome
Color 02, Grey	Color 21, Carmine red
Color 04, Light blue	Color 25, Pink
Color 05, Orange	Color 27, Matt black
Color 06, Light green	Color 28, Matt white
Color 08, Yellow	Color 40, Brushed stainless steel
Color 09, Dark grey	Color 60, Black
Color 12, Mocca	Color 61, Brushed black
Color 14, Bright red	Color 63, Copper
Color 15, Dark blue	Color 64, Brushed Copper
Color 16, Polished chrome	Color 65, Gold
Color 17, Gloss black	Color 68, Nickel
Color 18, White	Color 70, Brushed Gold
Color 19, Natural brass	



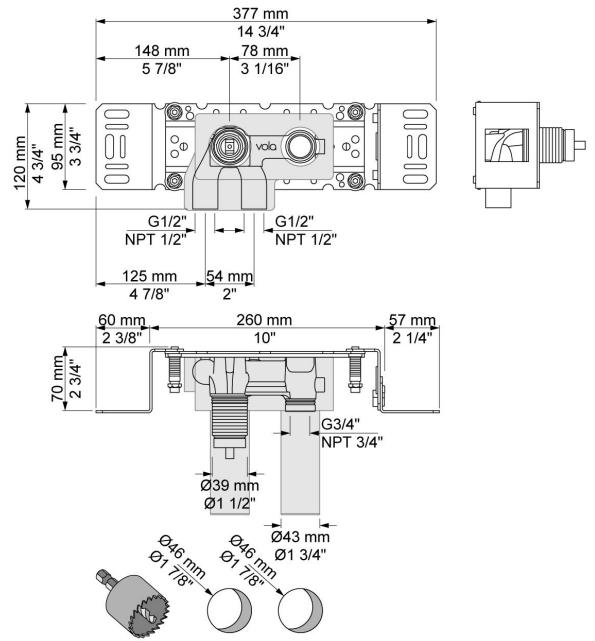
040D
200 mm bath spout with diverter for handshower. Dimension Ø24 mm. Incl. hand shower T2.



2004B
Four-hole plate Ø39, Ø30, Ø33, Ø33 mm, 309x60 mm.

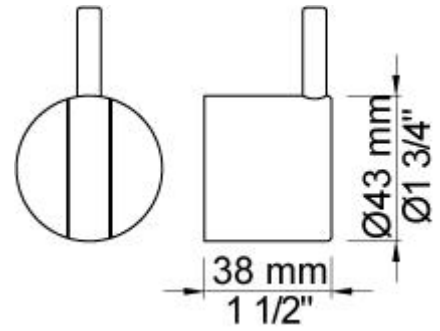


2100
One-handle build-in mixer for high flow, with fixed outlet socket. 1/2" connection to copper, steel, iron or pex pipe work.

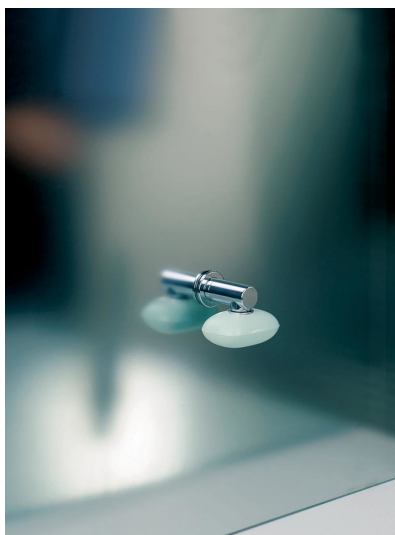
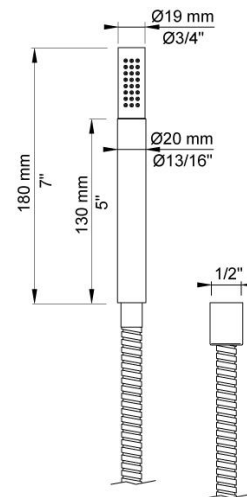




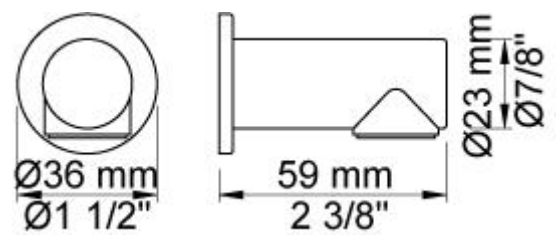
NR21
Operating handle for 2100, 2200, 2300, 2400 incl. variants. Ø43 mm.



T2
Hand shower with 1.5 m hose.



T3
Soap magnet.





T8
Hand shower holder for T2 for low mounting.

