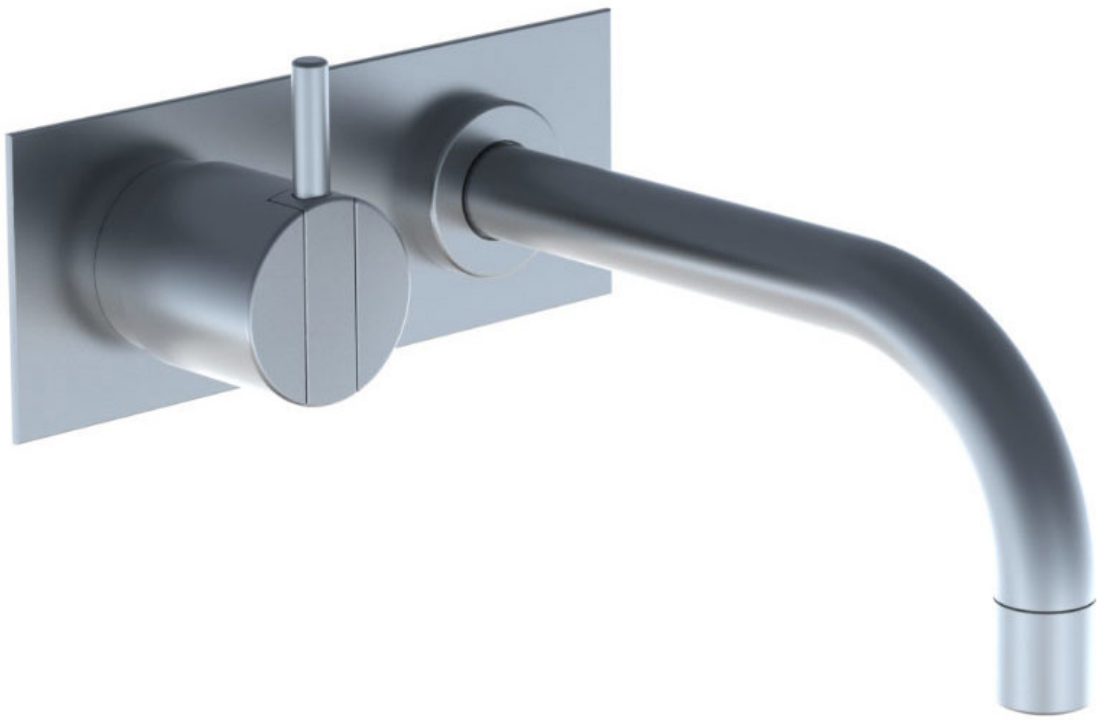


|  |
|--|
|  |
|--|

|          |
|----------|
| Date:    |
| Client:  |
| Project: |



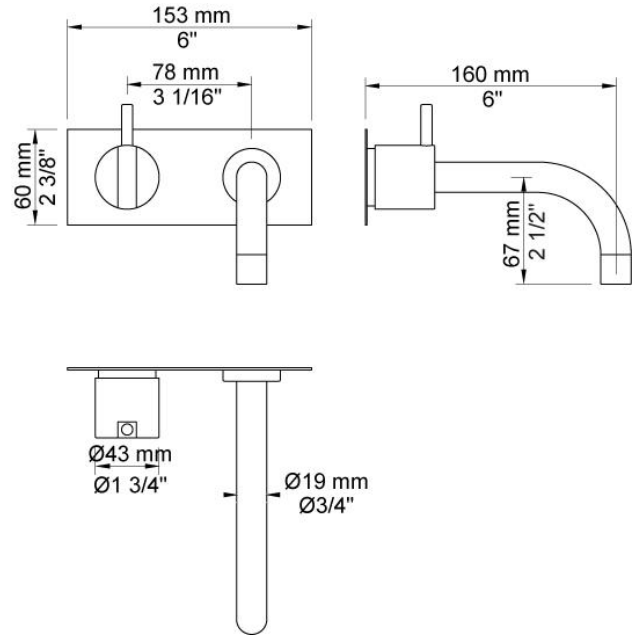
**2112**

One-handle build-in mixer with ceramic disc technology. 2112UP = Mixer 2100. 2112AP = Handle NR21, 160 mm fixed spout 010, two-hole plate 60 x 153 mm 2002.

**Flow**

|                    | Bar:    | 1.0 | 2.0 | 3.0 | 4.0 | 5.0 |
|--------------------|---------|-----|-----|-----|-----|-----|
| 2112               | (l/min) | 2.9 | 4.1 | 5.0 | 5.0 | 5.0 |
| 2112 <sup>1)</sup> | (l/min) | 2.6 | 3.7 | 4.5 | 4.5 | 4.5 |

<sup>1)</sup> USA standard

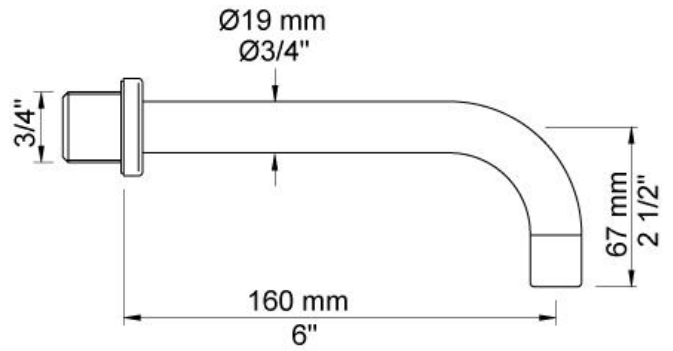


**Available in colors**

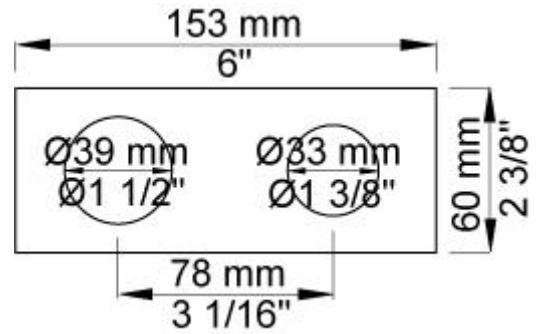
|                           |                                   |
|---------------------------|-----------------------------------|
|                           | Color 20, Brushed chrome          |
| Color 02, Grey            | Color 21, Carmine red             |
| Color 04, Light blue      | Color 25, Pink                    |
| Color 05, Orange          | Color 27, Matt black              |
| Color 06, Light green     | Color 28, Matt white              |
| Color 08, Yellow          | Color 40, Brushed stainless steel |
| Color 09, Dark grey       | Color 60, Black                   |
| Color 12, Mocca           | Color 61, Brushed black           |
| Color 14, Bright red      | Color 63, Copper                  |
| Color 15, Dark blue       | Color 64, Brushed Copper          |
| Color 16, Polished chrome | Color 65, Gold                    |
| Color 17, Gloss black     | Color 68, Nickel                  |
| Color 18, White           | Color 70, Brushed Gold            |
| Color 19, Natural brass   |                                   |



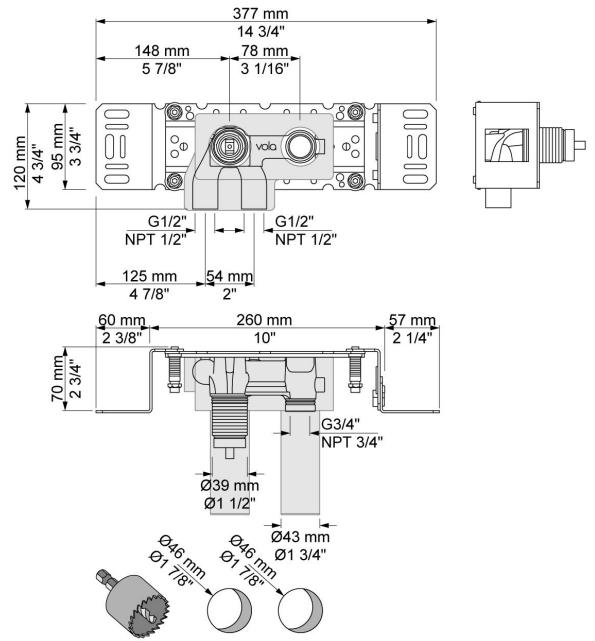
**010**  
160 mm fixed spout with water saving aerator.



**2002**  
Two-hole plate, 60 x 153 mm. Holes Ø39 and Ø30 mm.



**2100**  
One-handle build-in mixer for high flow, with fixed outlet socket. 1/2" connection to copper, steel, iron or pex pipe work.



**NR21**

Operating handle for 2100, 2200, 2300, 2400 incl. variants. Ø43 mm.

