

| |
|--|
| |
|--|

| |
|----------|
| Date: |
| Client: |
| Project: |



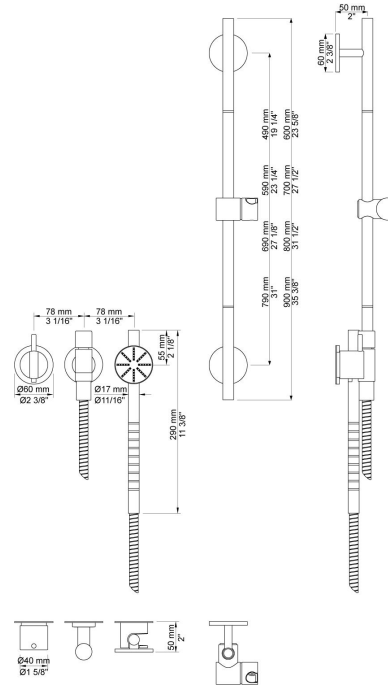
171S-T65

One-handle build-in mixer with hand shower and rail. 171S-T65UP = Mixer 100. 171S-T65AP = Handle NR28, hand shower and hand shower holder with non-return valve 070S, hose 1500 mm, 60 mm circular flanges: 001, 001G, 3001 and shower rail with hand shower T65.

Flow

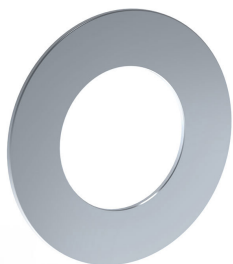
| | Bar: | 1.0 | 2.0 | 3.0 | 4.0 | 5.0 |
|------------------------|-------------|------------|------------|------------|------------|------------|
| 171S-T65 | (l/min) | 6.9 | 9.8 | 12.0 | 13.9 | 15.5 |
| 171S-T65 ¹⁾ | (l/min) | 4.4 | 6.2 | 7.6 | 7.6 | 7.6 |

¹⁾ USA Standard

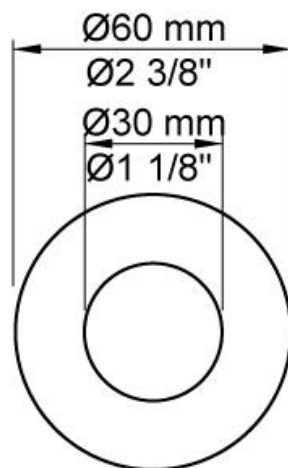


Available in colors

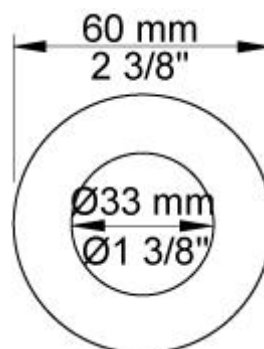
| | |
|---------------------------|-----------------------------------|
| | Color 20, Brushed chrome |
| Color 02, Grey | Color 21, Carmine red |
| Color 04, Light blue | Color 25, Pink |
| Color 05, Orange | Color 27, Matt black |
| Color 06, Light green | Color 28, Matt white |
| Color 08, Yellow | Color 40, Brushed stainless steel |
| Color 09, Dark grey | Color 60, Black |
| Color 12, Mocca | Color 61, Brushed black |
| Color 14, Bright red | Color 63, Copper |
| Color 15, Dark blue | Color 64, Brushed Copper |
| Color 16, Polished chrome | Color 65, Gold |
| Color 17, Gloss black | Color 68, Nickel |
| Color 18, White | Color 70, Brushed Gold |
| Color 19, Natural brass | |



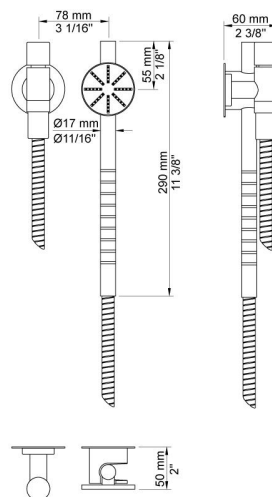
001
60 mm circular flange. Hole Ø30 mm.

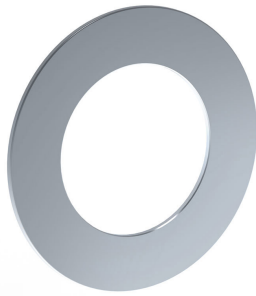


001G
60 mm circular flange. Hole Ø33 mm.

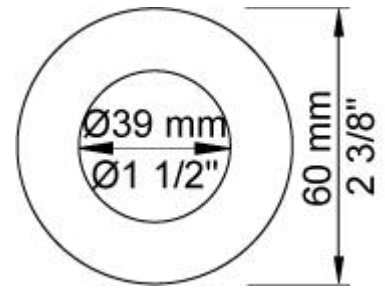


070S
Hand shower, hand shower holder and hose with non-return valve.

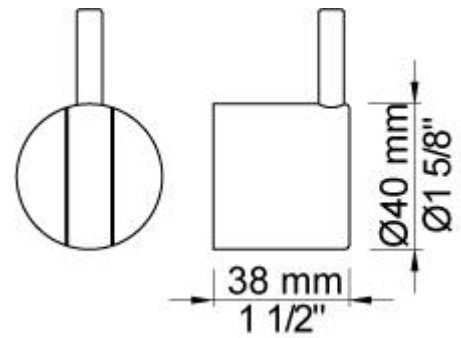




2001
60 mm circular flange. Hole Ø39 mm.



NR28
Operating handle for 100, 200, 300, 400 incl. variants. Ø40 mm.



T65
Shower rail (Standard length 700 mm) with hand shower and hose T60.

