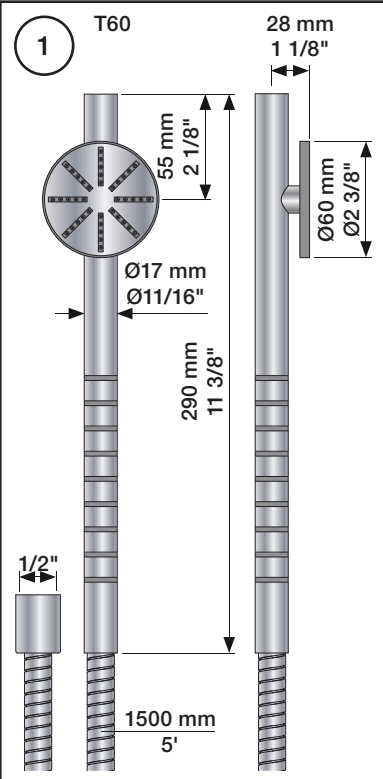




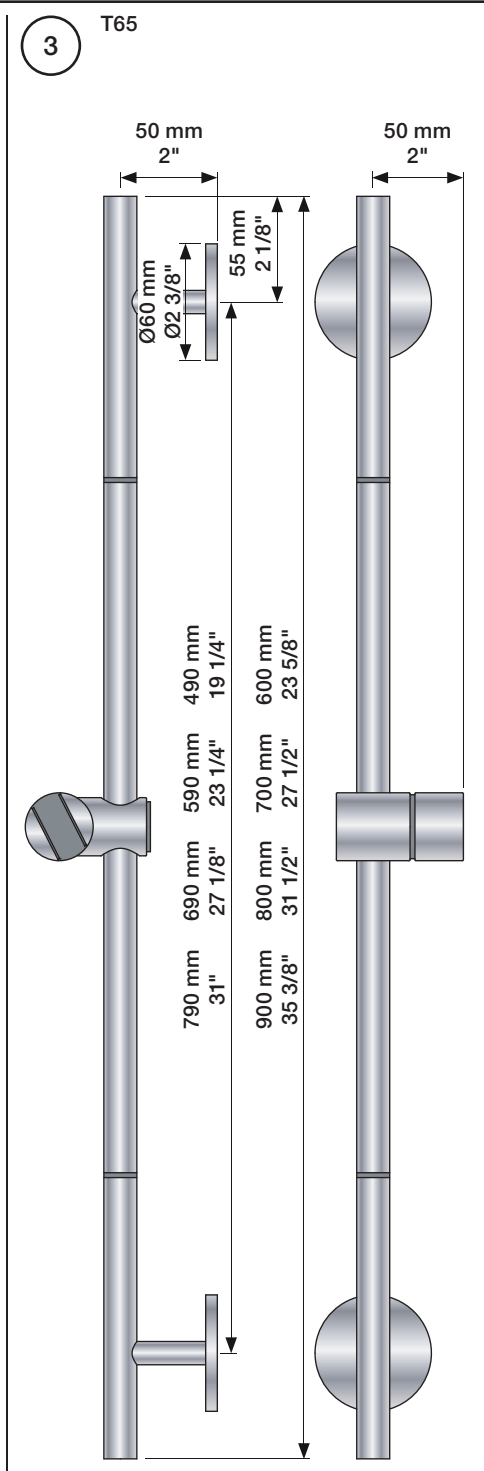
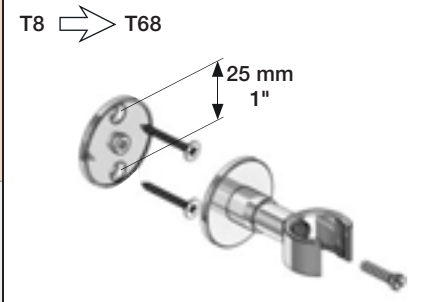
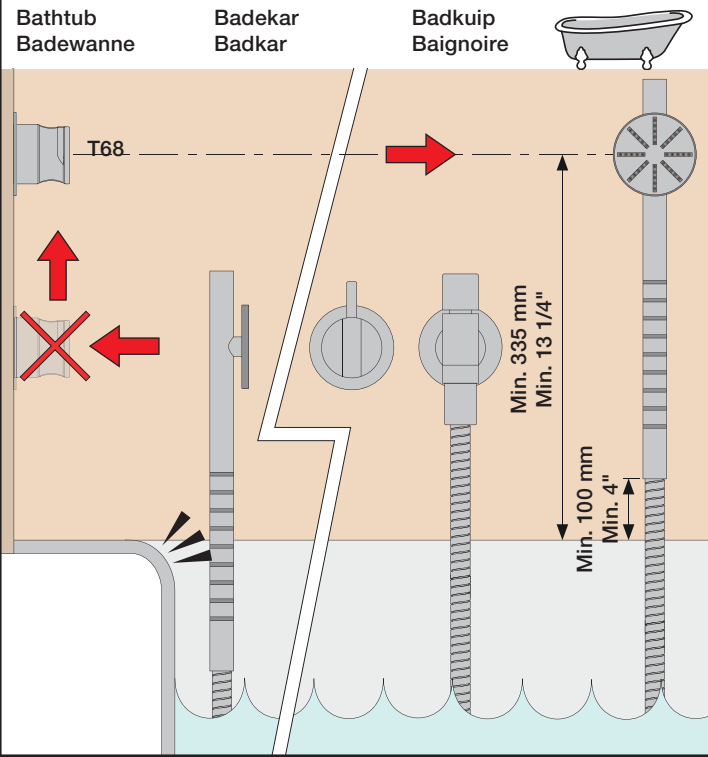
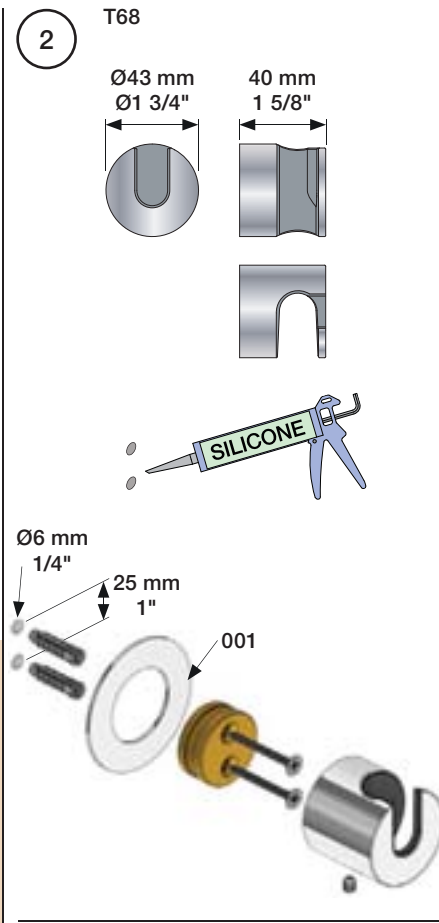
Fitting instruction  
 Montageanleitung  
 Monteringsvejledning  
 Monteringsvægledning  
 Montage hanleiding  
 Manuel de montage



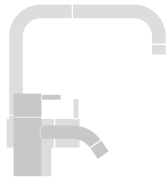
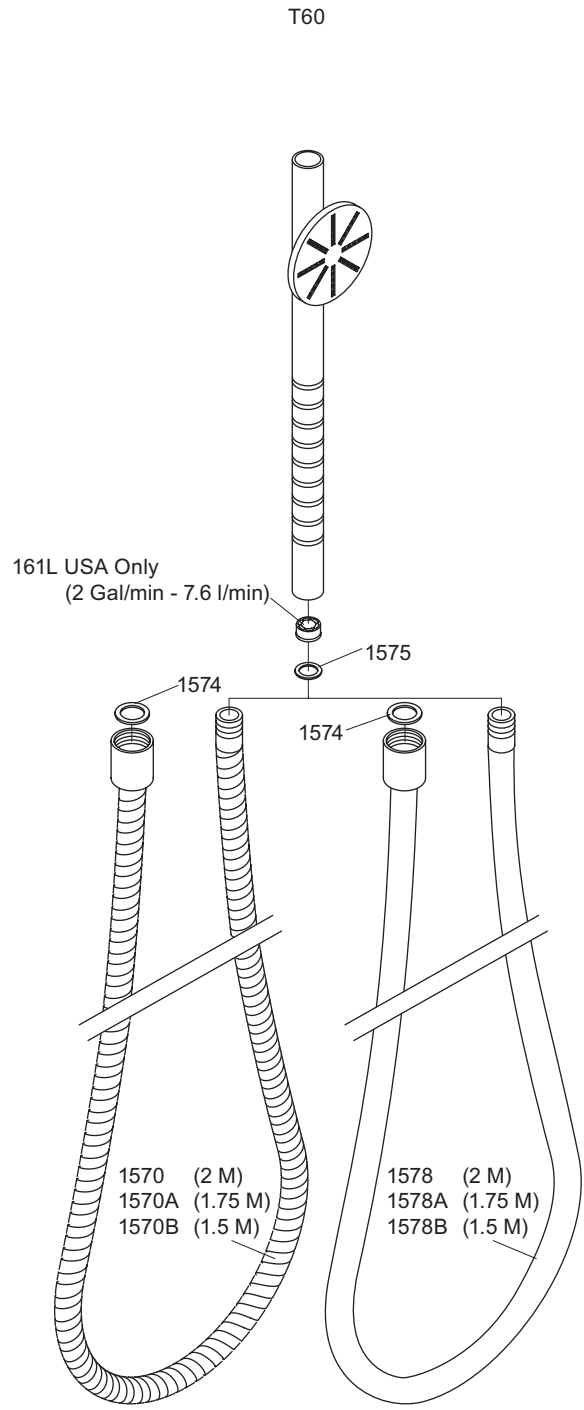
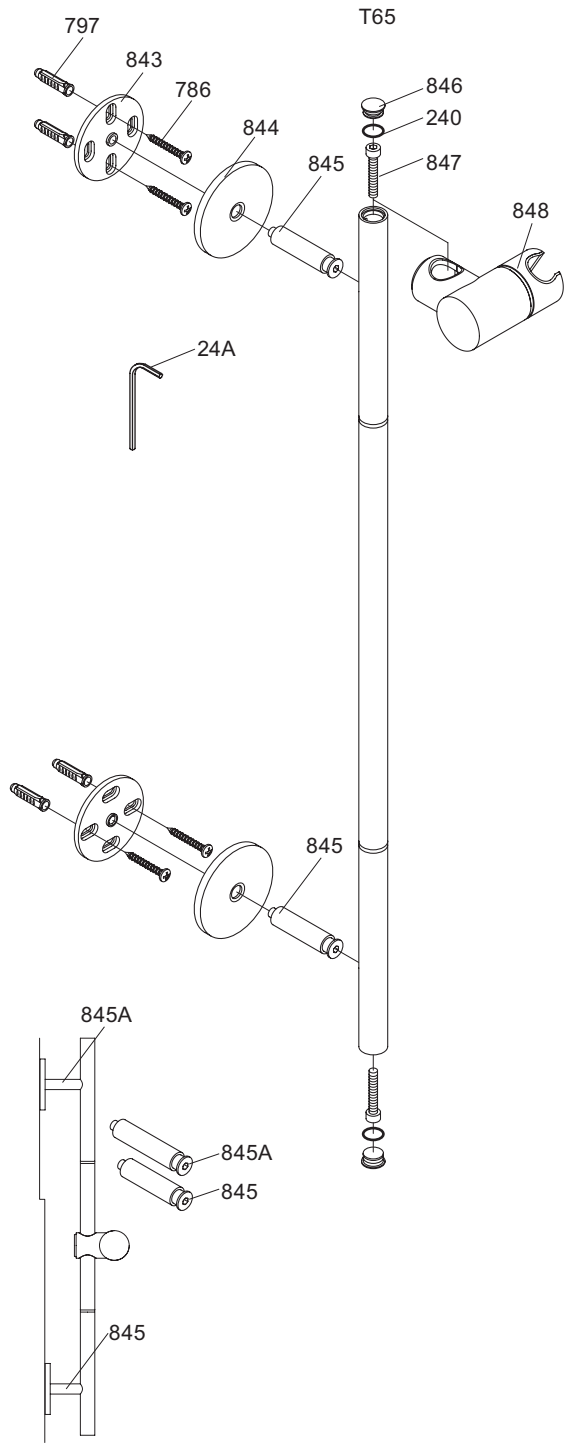
Data	Bar:	1	2	3	4	5
T60	(l/min) (Gal/min)	6.9 1.8	9.8 2.6	12 3.2	14 3.7	15 4.1
	Max. 65°C. 150°F					

 USA:  
 Max. flow rate:  
 2 Gal/min

Service - VR556







vola  
Lunavej 2  
DK-8700 Horsens  
Tlf : + 45 7023 5500  
sales@vola.com  
www.vola.com

**VOLA T65**  
T65-T60

Date	Mar. 15
Rev.	0
Sheet	<b>SB 42.65</b>