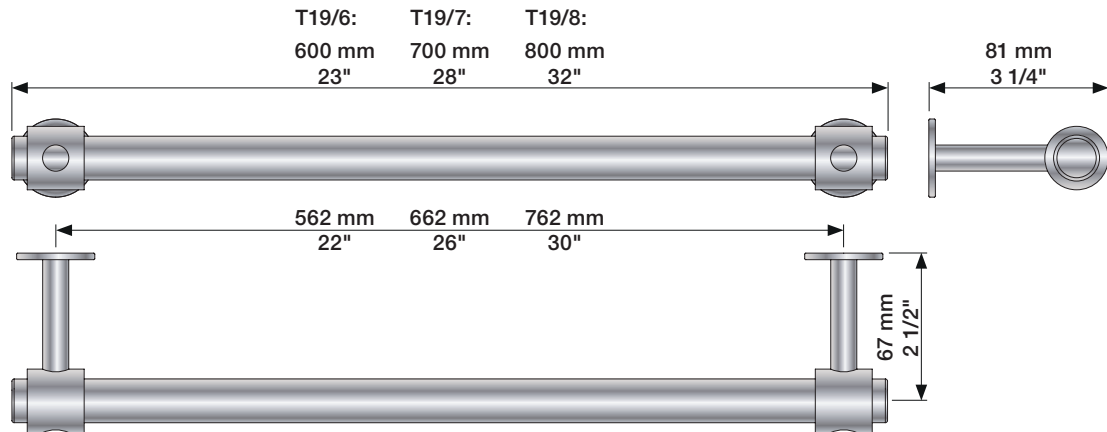
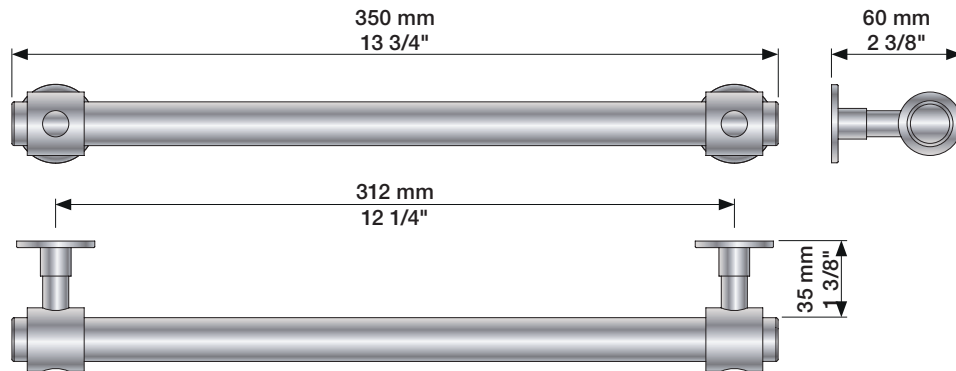


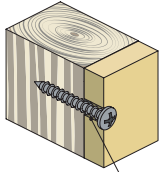
T19/6 - T19/7 - T19/8



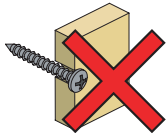
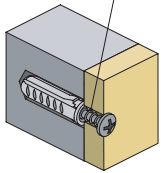
T23



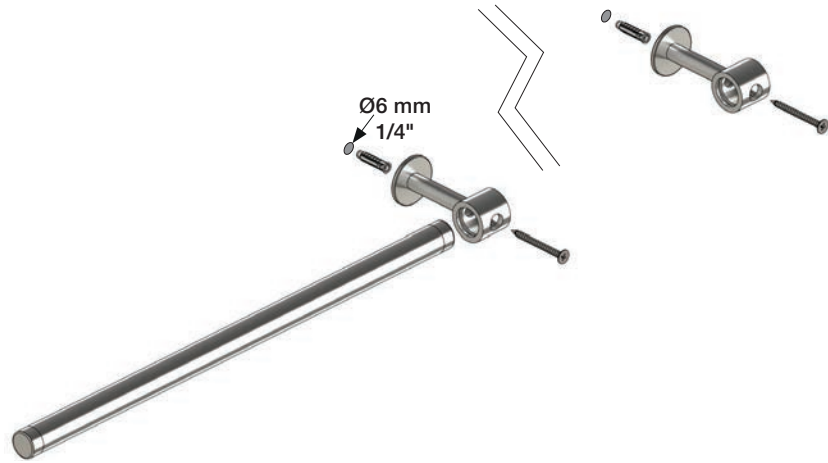
Light frame wall construction  
Leichtbauwand  
Let væg  
mellanbjälklag trä  
Hollewand constructie  
Construction légère



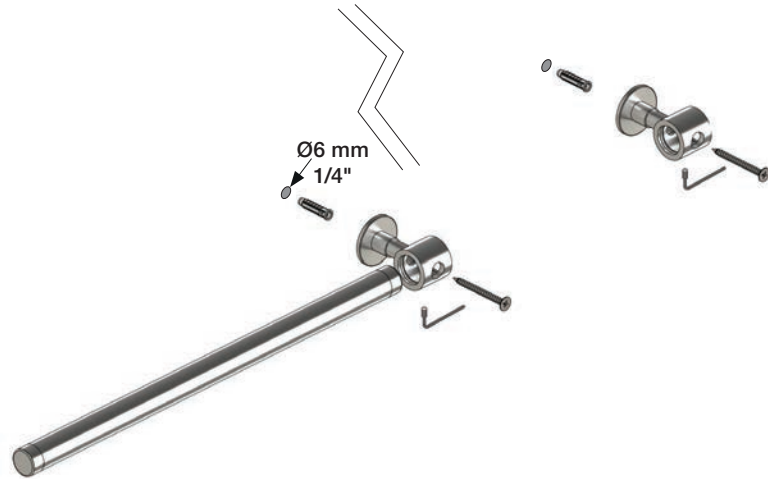
Solid wall/Masonry  
Mauerwerk  
Tungvæg  
mellanbjälklag betong etc.  
Massieve wand  
Mur plein

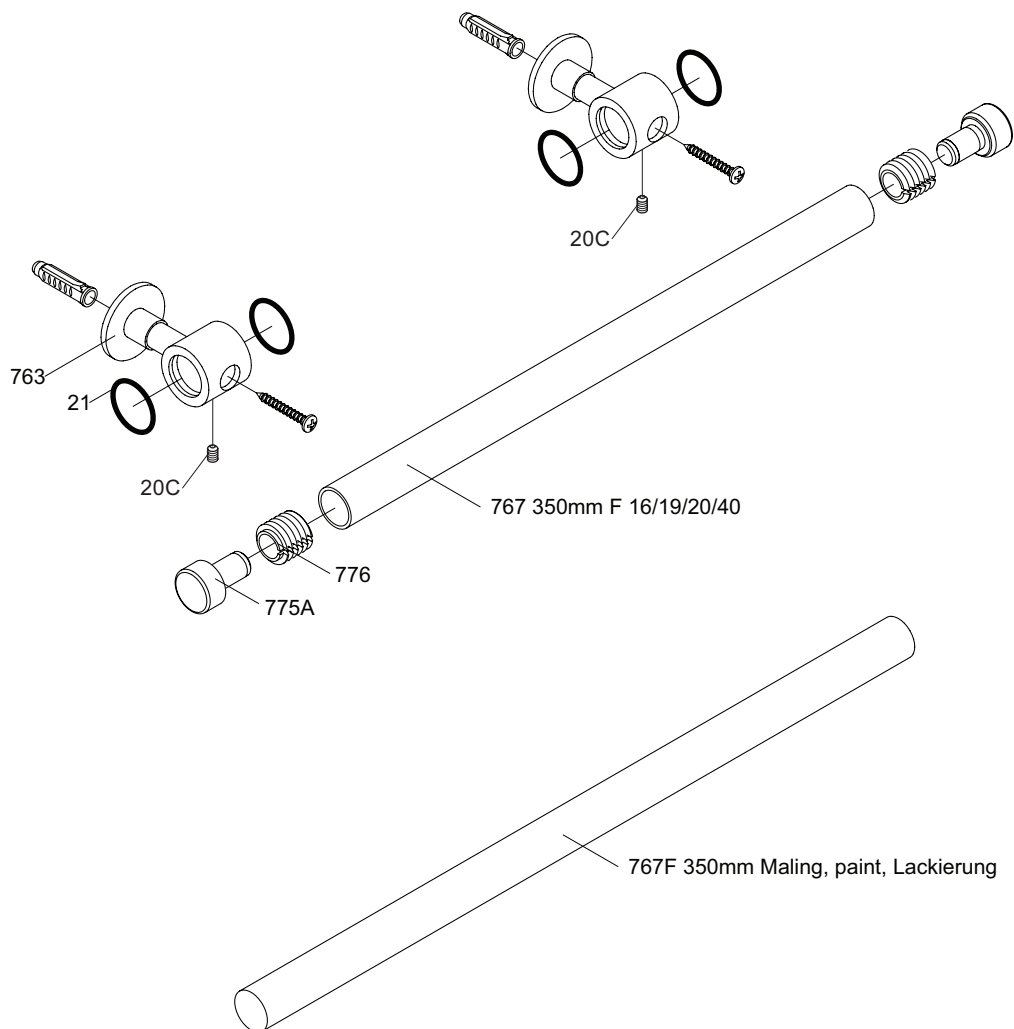


T19/6 - T19/7 - T19/8



T23 - 1





vola  
 Lunavej 2  
 DK-8700 Horsens  
 Tlf : + 45 7023 5500  
 Fax: + 45 7023 5511  
 sales@vola.com  
 www.vola.com

## VOLA T23

Date  
 Apr. 03

Rev.  
 2

Sheet  
 SB 42.14