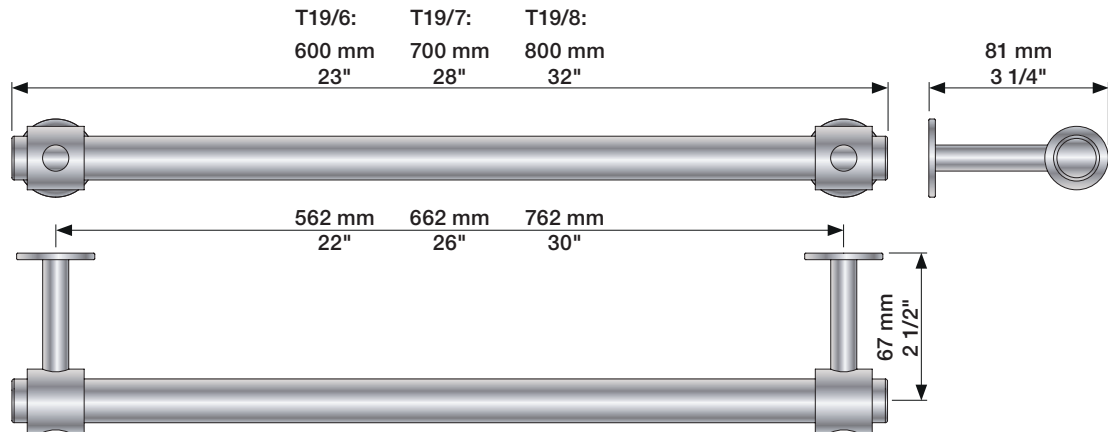
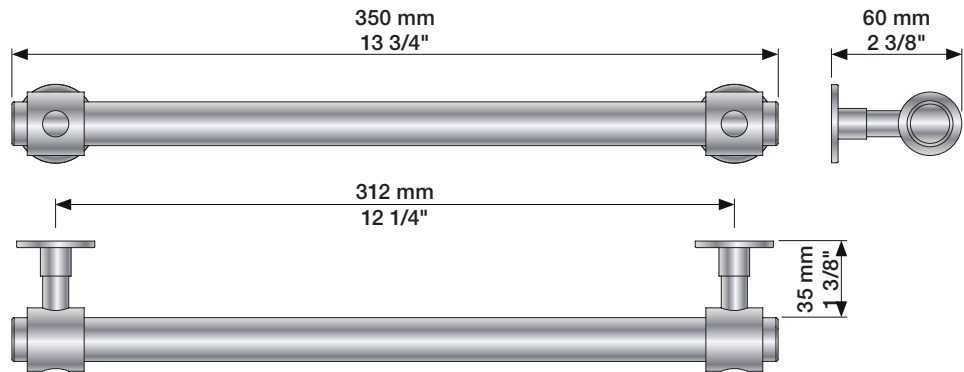


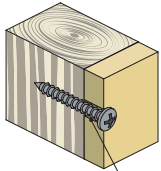
T19/6 - T19/7 - T19/8



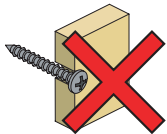
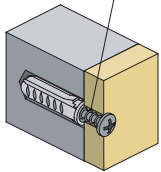
T23



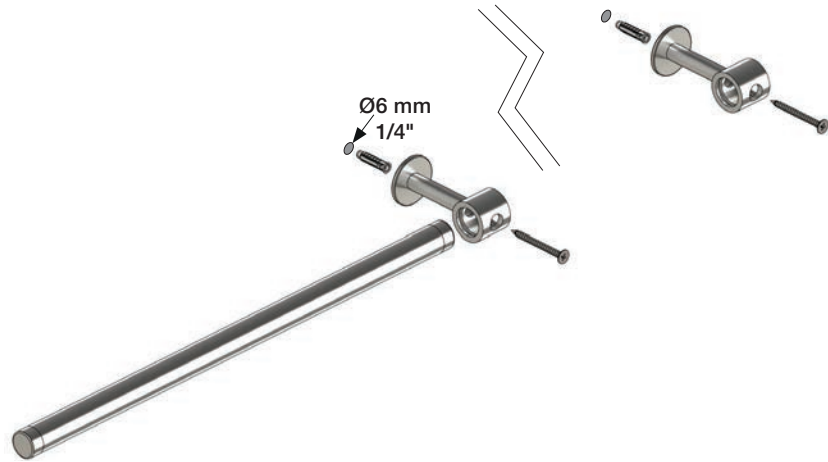
Light frame wall construction
Leichtbauwand
Let væg
mellanbjälklag trä
Hollewand constructie
Construction légère



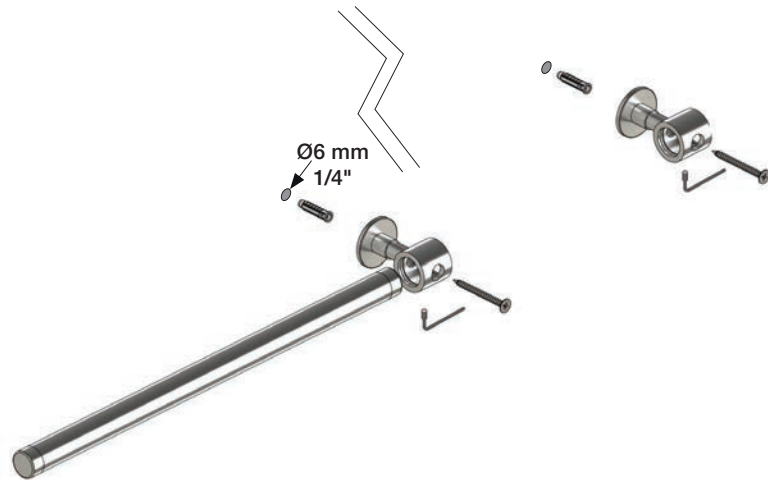
Solid wall/Masonry
Mauerwerk
Tungvæg
mellanbjälklag betong etc.
Massive wand
Mur plein

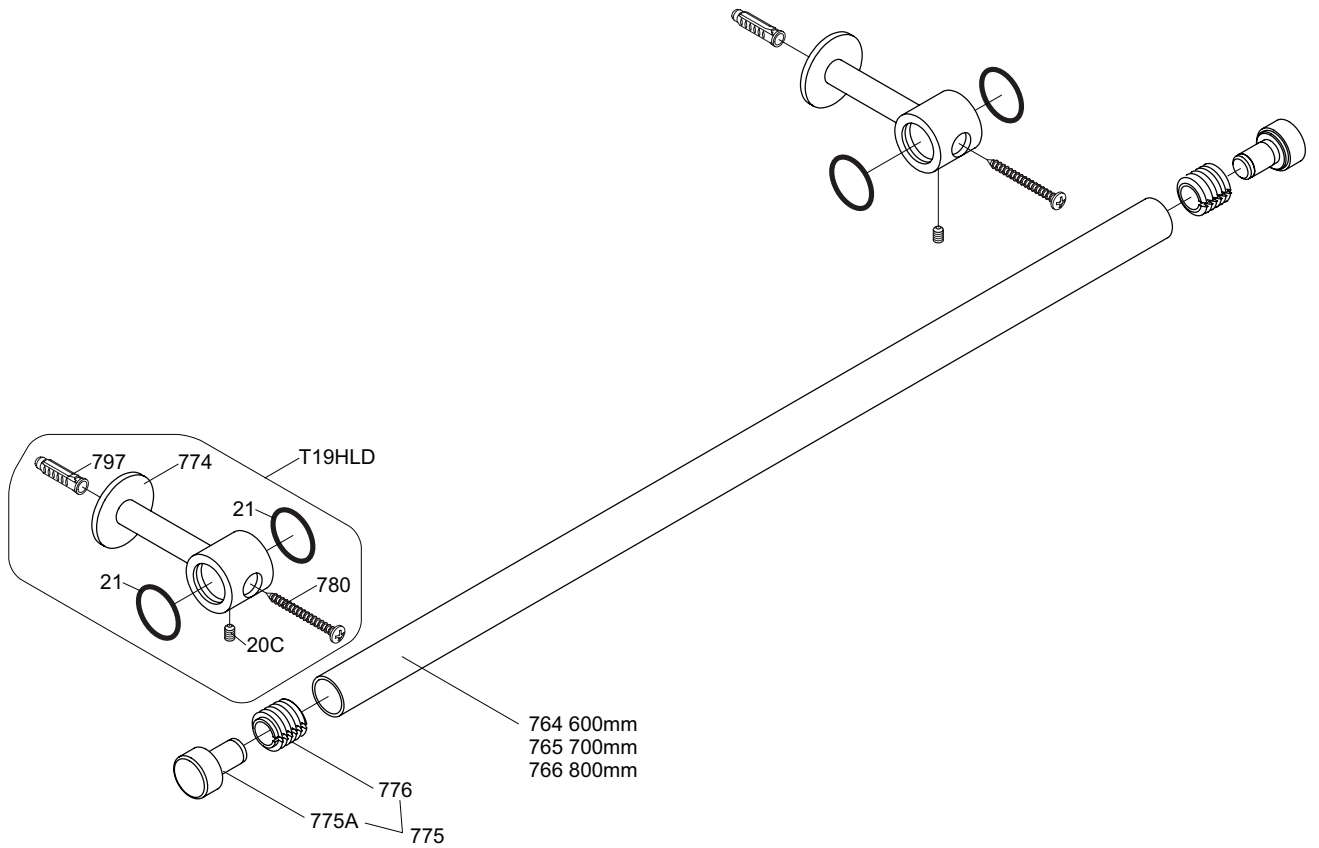


T19/6 - T19/7 - T19/8



T23 - 1





T19HLD: VR20C, 2xVR21, VR774, VR780, VR797
 VR775: VR775A, VR776



vola
 Lunavej 2
 DK-8700 Horsens
 Tlf : + 45 7023 5500
 sales@vola.com
 www.vola.com

VOLA T19

Date	Apr. 03
Rev.	2
Sheet	SB 42.10