

VR17L9K: VR15P, VR16L9, VR17L
 VR17L5K: VR15P, VR16L5, VR17L
 VR17L4K: VR15P, VR16L4, VR17L (US Standard)
 VR17LSK: VR15P, VR16LS, VR17L



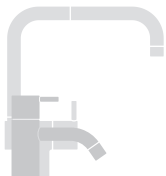
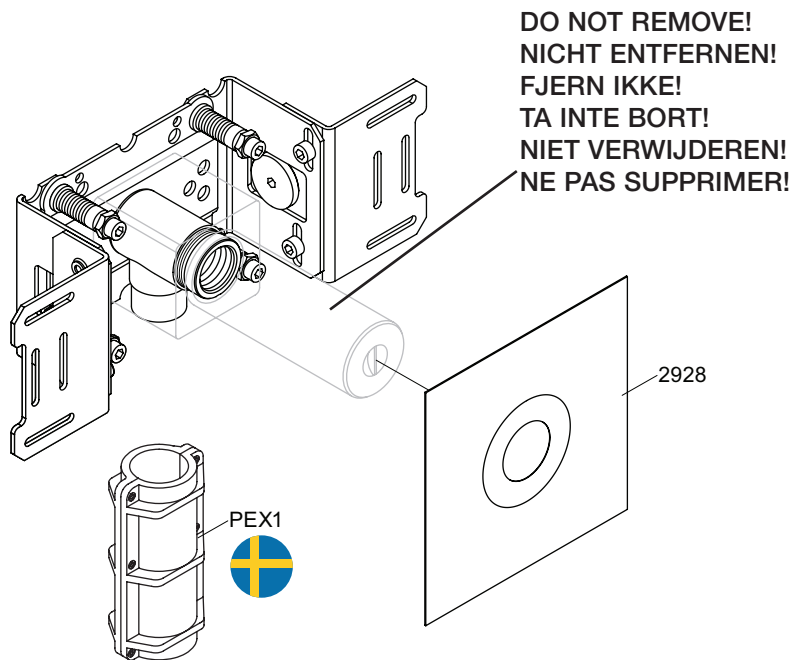
vola
 Lunavej 2
 DK-8700 Horsens
 Tlf : + 45 7023 5500
 Fax: + 45 7023 5511
 sales@vola.com
 www.vola.com

VOLA 010 / 020

Date
Oct. 16

Rev.
3

Sheet
SB11



vola

Lunavej 2
DK-8700 Horsens
Tlf : + 45 7023 5500
sales@vola.com
www.vola.com

VOLA 200M

Date
May. 20

Rev.
2

Sheet
SB 2.3