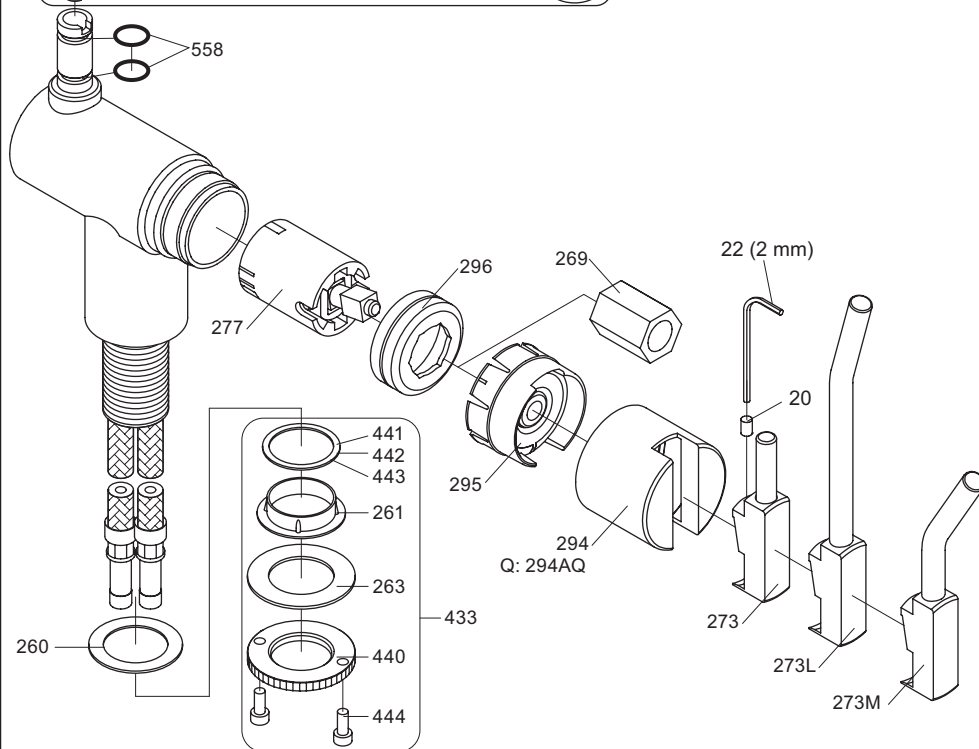
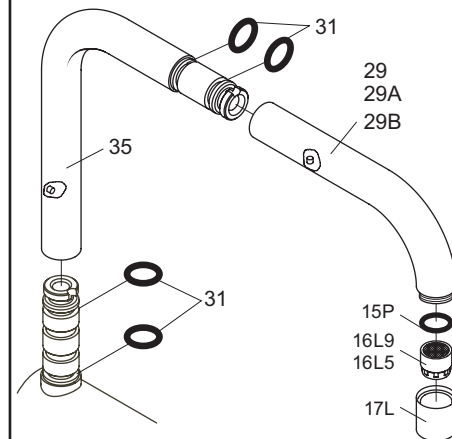
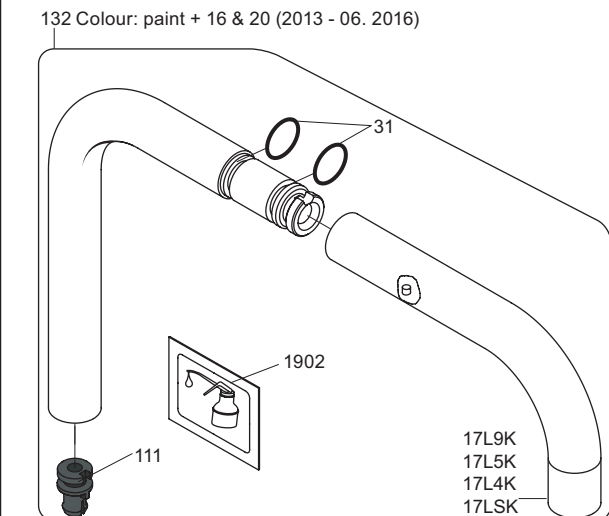
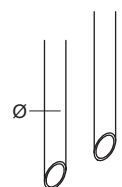


Colour: paint, 16, 19, 20

Colour: 40 - VR30:



KV1: Ø10
KV1US: Ø3/8"
KV1Q: Ø3/8"

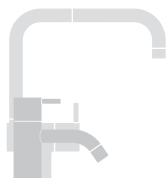


FKV1US:

480 mm

9/16"

- NR.10: VR20, VR22, VR273, VR294, VR295
 VR17LK5: VR15P, VR16L5, VR17L (US Standard)
 VR17LK9: VR15P, VR16L9, VR17L
 VR132: VR15P, VR16L9, VR17L, 2xVR31, 2xVR558, VR1902 (2013 - 06. 2016)
 VR277K: VR22, VR269, VR277
 VR297: VR20, VR22, VR269, VR273, VR277, VR294, VR295, VR296
 VR433: VR261, VR263, VR440, VR441, VR442, VR443, 2xVR444



vola

Lunavej 2
 DK-8700 Horsens
 Tlf : + 45 7023 5500
 sales@vola.com
 www.vola.com

KV1 Family:

KV1: /250, /300
 KV1L: /250, /300
 KV1M: /250, /300

Date

Nov. 12

Rev.

6

Sheet

SB25.2