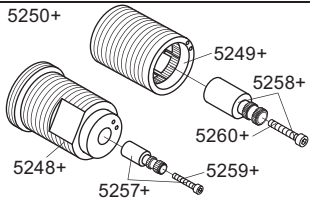
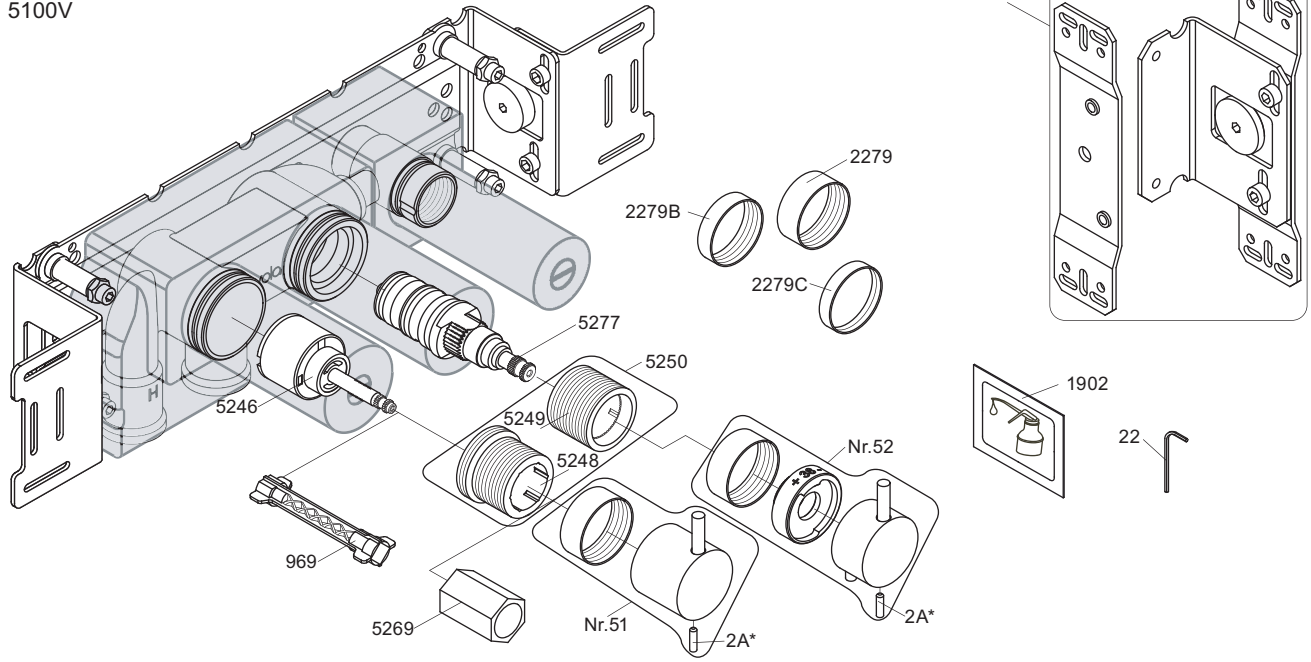

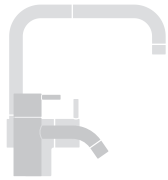
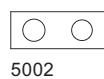
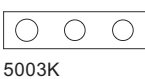
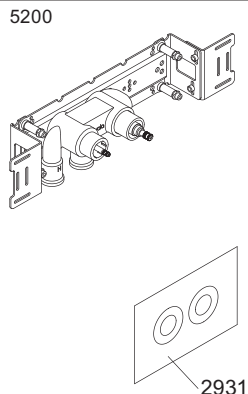
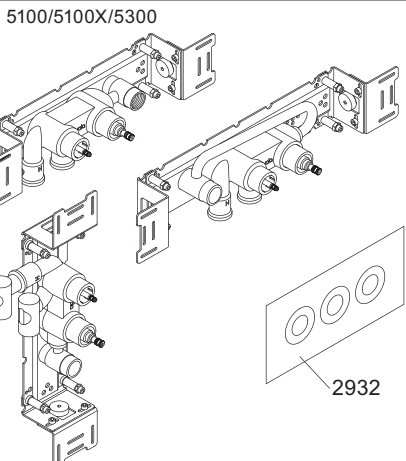


5100V



2A\*  Color  
 VR2A-Steel: Standard  
 VR2A-F60: F17-F27-F60  
 VR2A-F63: F63-F64  
 VR2A-F65: F19-F65-F70

NR51: VR5251, VR2279+B+C, VR2A  
 NR52: VR5252, VR5253, VR5255, VR5256, VR2279+B+C, VR3109, VR3111, VR2A  
 VR5250+: VR5248+, VR5249+, VR5257, VR5258, VR5259, VR5260  
 VR5257+: VR5257+, VR5259+  
 VR5258+: VR5258+, VR5260+



**vola**  
 Lunavej 2  
 DK-8700 Horsens  
 Tlf : + 45 7023 5500  
 sales@vola.com  
 www.vola.com

**VOLA 5100**  
 5100X, 5200V, 5300

Date  
 Apr. 21

Rev.  
 4

Sheet  
**SB 10.51**